

ENGINEERING
TOMORROW

Danfoss

Technical Information

H1P 089/100

Axial Piston Single Pumps



Revision history

Table of revisions

Date	Changed	Rev
April 2021	Corrected interface with ECU (EDC) graphic	1208
January 2021	Corrected unit conversion errors	1207
June 2020	Corrected E/F charge filtration port size	1206
April 2020	Corrected swash plate angle sensor connector and CCO connector descriptions	1205
February 2020	Added NFPE options and changed document number from BC00000067	1204
September 2019	G3 Input shaft option added.	1102
June 2019	Major revision.	1101
May 2018	Angle sensor for EDC; FDC note added.	1001
June 2017	port size changes	0902
May 2017	NFPE gen. 3 changes.	0901
November 2015	Master Model Code changes.	0800
2010-2014	Various changes.	BA-GB
Aug 2009	First edition	AA

Contents

Technical Specifications

H1 Pumps General Specification.....6
 H1P 089/100 Technical Data.....6
 H1P 089/100 Operating Parameters7
 Fluid Specification.....8
 H1P 089/100 Mounting Flange Loads8
 Bearing Life and External Radial Shaft Loads.....9
 Charge pump.....10
 Charge Pump Selection.....10
 20/24 cm³ Charge Pump – Flow and Power Curves.....10

Master Model Code

Displacement, A—Rotation, B—Product Version, Z—Port Configuration.....11
 D—Controls.....12
 Electronic Displacement Controls.....12
 Fan Drive Controls.....12
 Forward-Neutral-Reverse (FNR) Controls.....12
 Non-Feedback Proportional Electric (NFPE) Controls.....12
 Automotive Controls.....13
 Manual Displacement Control.....13
 F—Orifices, E—Displacement Limiters.....14
 G—Endcap.....15
 H—Mounting Flange, J—Input Shaft, K—Aux Pad.....16
 M, N—Overpressure Protection Settings.....17
 S—Charge Pump, T—Filtration, V—Charge Pressure Relief.....18
 W—Special Hardware, X—Paint, Y—Special Features.....19

Control Options

Electrical Displacement Control (EDC).....20
 EDC Operation.....20
 Control Signal Requirements, EDC 089/100.....21
 Control Solenoid Data.....21
 Single Pump Output Flow Direction.....21
 Connector.....22
 Control Response.....22
 Response Time, EDC 089/100.....22
 Manual Displacement Control (MDC)23
 MDC Operation.....24
 MDC Shaft Rotation.....24
 MDC Torque.....25
 Control Response.....25
 Response time, MDC 089/100.....25
 Neutral Start Switch (NSS).....26
 Connector.....26
 Case Gauge Port M14.....26
 Lever.....26
 Forward-Neutral-Reverse Control (FNR).....27
 FNR Solenoid Data.....28
 Single Pump Output Flow Direction.....28
 Connector.....28
 Control Response.....29
 Response Time, FNR 089/100.....29
 Non Feedback Proportional Electric Control (NFPE).....30
 Control Signal Requirements, NFPE 089/100.....30
 Control Solenoid Data.....31
 Single Pump Output Flow Direction.....31
 Connector.....31
 Control Response.....32
 Response Time, NFPE 089/100.....32
 Automotive Control (AC).....33

Contents

Mode types.....	33
Basic functions.....	33
Performance functions.....	34
Protection and safety functions.....	34
Engine control and protection.....	34
Installation features.....	34
Fan Drive Control (FDC).....	35
Control Signal Requirements, FDC 089/100.....	36
Control Solenoid Data.....	36
Single Pump Output Flow Direction.....	37
Connector.....	37
Control Response.....	37
Response Time, FDC 089/100.....	37
Manual Override (MOR).....	38
Swashplate Angle Sensor for EDC Controls.....	39
Swash Plate Angle Sensor Parameters (EDC).....	39
Swashplate Angle Sensor Connector.....	40
Interface with ECU (EDC).....	40
Swash Plate Angle Sensor for NFPE and AC2 Controls.....	41
Swash Plate Angle Characteristic.....	41
Swash Plate Angle Sensor Parameters (NFPE/AC).....	42
Swash Plate Angle Sensor Connector (NFPE).....	42
Interface with ECU (NFPE).....	43
Control Cut Off Valve (CCO).....	43
Brake gauge port with MDC.....	44
CCO Connector (MDC).....	45
H1P CCO Connector (EDC, NFPE).....	45
CCO Solenoid Data.....	45
Displacement Limiter.....	46
H1P 089/100 Displacement Change (approximately).....	46

Dimensions and Data

H1P 089/100 Input Shaft Option G1 (SAE C, 14 teeth).....	47
H1P Input Shaft Option G3 (SAE C, 13 teeth).....	48
H1P 089/100 Input Shaft Option G9 (SAE C-C, 23 teeth).....	49
H1P 089/100 Input Shaft Option F1 (SAE C, 21 teeth).....	50
H1P 089/100 Input Shaft Option F4, Code 38-3	51
Tapered shaft customer acknowledgement.....	51
H1P Auxiliary Mounting, Option H1 (SAE A, 11 teeth)	52
H1P Auxiliary Mounting, Option H2 (SAE A, 9 teeth).....	53
H1P Auxiliary Mounting, Option H3 (SAE B, 13 teeth)	54
H1P Auxiliary Mounting, Option H5 (SAE B-B, 15 teeth)	55
H1P Auxiliary Mounting, Option H6 (SAE C, 14 teeth)	56
H1P 089/100 Auxiliary Mounting, Option S1 (SAE B-B, 14 teeth).....	57
H1P Displacement Limiter, Option B	58
Single Pump Ports.....	59
H1P Dimensions.....	60
Controls.....	63
EDC Options A2 and A3 (12/24 V).....	63
EDC with MOR, Options A4 and A5 (12/24 V).....	64
EDC with CCO (key C), Options E7 and E8 (12/24 V).....	65
EDC with ASNSR, Options: H2 and H3 (12/24 V).....	66
EDC with MOR and ASNSR, Options H6 and H7 (12/24 V).....	67
EDC with CCO and ASNSR, Options H8 and H9 (12/24 V).....	68
MDC Option: M1	69
MDC with Neutral Start Switch Option: M2.....	70
MDC with CCO, Options: M3, M4.....	71
MDC with NSS and CCO Options: M5, M6.....	72
NFPE with MOR, Options: N1, N2 (12/24 V).....	73
NFPE with MOR, CCO, ASNSR, Options: N3, N4 (12/24 V).....	74

Contents

NFPE with MOR and ASNSR, Options: N5, N6 (12/24 V).....	75
NFPE with MOR and CCO, Options: N7, N8 (12/24 V).....	76
FDC Options: F1, F2 (12/24V).....	77
Automotive Control (AC).....	78
AC connectors dimensions.....	79
Filtration.....	80
Suction Filtration Option L.....	80
Remote Full Flow Charge Pressure Filtration Option P.....	81
Integral Full Flow Charge Pressure Filtration, Option M.....	82
External Full Flow Charge Pressure Filtration, Option S.....	83

Technical Specifications

H1 Pumps General Specification

Axial piston closed circuit variable displacement pumps of cradle swash-plate design with clockwise or counterclockwise direction of rotation.

Pipe connections

- Main pressure ports: ISO split flange boss
- Remaining ports: SAE straight thread O-ring boss

Recommended installation position

Pump installation position is discretionary, however the recommended control position is on the top or at the side with the top position preferred. If the pump is installed with the control at the bottom, flushing flow must be provided through port M14 located on the EDC, FNR and NFPE control.

Vertical input shaft installation is acceptable. If input shaft is at the top, 1 bar case pressure must be maintained during operation. The housing must always be filled with hydraulic fluid. Recommended mounting for a multiple pump stack is to arrange the highest power flow towards the input source. Consult Danfoss for nonconformance to these guidelines.

Auxiliary cavity pressure

Auxiliary cavity pressure will be inlet pressure with internal charge pump or case pressure with external charge supply. For reference see Operating Parameters. Please verify mating pump shaft seal capability.

H1P 089/100 Technical Data

Feature	Size 089	Size 100
Displacement	89.2 cm ³ [5.44 in ³]	101.7 cm ³ [6.21 in ³]
Flow at rated speed (continuous)	294 l/min [77.7 US gal/min]	335 l/min [88.5 US gal/min]
Torque at maximum displacement (theoretical)	1.42 N·m/bar [870 lbf·in/1000 psi]	1.62 N·m/bar [990 lbf·in/1000 psi]
Mass moment of inertia of rotating components	0.0116 kg·m ² [0.0086 slug·ft ²]	0.0116 kg·m ² [0.0086 slug·ft ²]
Mass (dry-no charge pump)	62 kg [137 lb]	62 kg [137 lb]
Oil volume	2.6 l [0.67 US gal]	2.6 l [0.67 US gal]

Shaft, flange and ports description

Input shaft per ISO 3019-1 (outer diameter)	<ul style="list-style-type: none"> • Outer Ø32 mm – 4 (SAE C, 14 teeth) • Outer Ø35 mm – 4 (SAE C, 21 teeth) • Outer Ø38 mm – 4 (SAE C-C, 23 teeth) • Conical keyed shaft end similar to ISO 3019-1 code 38-3, taper 1:8
Mounting flange per ISO 3019-1	Flange 127-4 (SAE C)
Auxiliary mounting flange with metric fasteners, with shaft outer diameter	<ul style="list-style-type: none"> • Flange 82-2 (SAE A: 9 teeth and 11 teeth) • Flange 101-2 (SAE B, 13 teeth and SAE B-B, 15 teeth) • Flange 127-4 (SAE C, 14 teeth)
Suction port per ISO 3019-1	ISO 11926-1 – 1 5/8 -12 (SAE O-ring boss)
Main configuration port	Ø25.4 mm; M12 x 1.75; 20 min. full thread depth
Case drain ports L2, L4 per ISO 3019-1	ISO 11926-1 – 1 ⁵ / ₁₆ -12
Other ports	SAE O-ring boss
Customer interface threads	Metric fasteners

Technical Specifications

H1P 089/100 Operating Parameters

Parameter		Unit	Size 089/100
Input speed	Min. for internal ¹⁾ and external ²⁾ charge supply	min ⁻¹ (rpm)	500
	Min. for full performance, internal charge supply		1200
	Rated		3300
	Maximum		3800
System pressure	Maximum working	bar [psi]	450 [6528]
	Maximum		480 [6960]
	Max./Min. low loop		45/10 [650/145]
Charge pressure	Minimum		18 [261]
	Maximum		34 [493]
Control pressure	Minimum (at corner power for EDC, MDC, FNR)	bar [psi]	17 [247]
	Minimum (at corner power for NFPE, FDC, AC)		25 [363]
	Maximum		40 [580]
Charge pump inlet pressure	Rated	bar (absolute) [in Hg vacuum]	0.7 [9.0]
	Minimum (cold start)		0.2 [24.0]
	Maximum		4.0 [58.0]
Case pressure	Rated	bar [psi]	3.0 [44.0]
	Maximum		5.0 [73.0]
Lip seal maximum pressure (external)			0.4 [5.8]

¹⁾ Performance (displacement and pressure) may be limited due to limited control pressure.

²⁾ Full performance (displacement and pressure) possible at minimum charge and control pressure supply.

Filtration, cleanliness level and β_x -ratio (recommended minimum)

Cleanliness per ISO 4406	22/18/13
Efficiency β_x (charge pressure filtration)	$\beta_{15-20} = 75$ ($\beta_{10} \geq 10$)
Efficiency β_x (suction and return line filtration)	$\beta_{35-45} = 75$ ($\beta_{10} \geq 2$)
Recommended inlet screen mesh size	100 – 125 μm

Technical Specifications

Fluid Specification

Viscosity

Intermittent¹⁾	5 mm ² /s [42 SUS]
Minimum	7 mm ² /s [49 SUS]
Recommended range	12 – 80 mm ² /s [66 – 370 SUS]
Maximum	1600 mm ² /s [7500 SUS]

¹⁾ Intermittent = Short term t < 1 min per incident and not exceeding 2 % of duty cycle based load-life.

Temperature

Minimum¹⁾	-40°C [-40°F]
Rated	104°C [220°F]
Recommended range²⁾	60 – 85°C [140 – 185°F]
Maximum Intermittent	115°C [240°F]

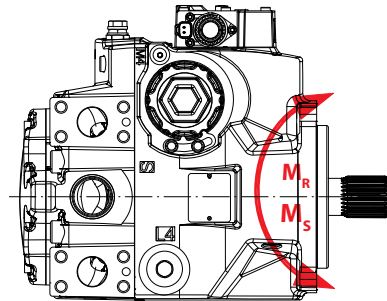
¹⁾ Cold start = Short term t > 3 min, p ≤ 50 bar [725 psi], n ≤ 1000 min⁻¹ (rpm).

²⁾ At the hottest point, normally case drain port.

H1P 089/100 Mounting Flange Loads

The Rated and Shock load moments apply for top or side orientation of control.

Mounting flange load with control on top



Rated moment

$$M_R = 5630 \text{ N}\cdot\text{m} [49\ 830 \text{ lbf}\cdot\text{in}]$$

Shock load moment

$$M_S = 12\ 190 \text{ N}\cdot\text{m} [107\ 900 \text{ lbf}\cdot\text{in}]$$

For more information, see *H1 Axial Piston Pumps, Basic Information*, **BC152886483968**, the section "Mounting flange loads".

Technical Specifications

Bearing Life and External Radial Shaft Loads

All external shaft loads affect bearing life. The pumps are designed with bearings that can accept some external radial loads. The external radial shaft load limits are a function of the load position and orientation, and the operating conditions of the unit.

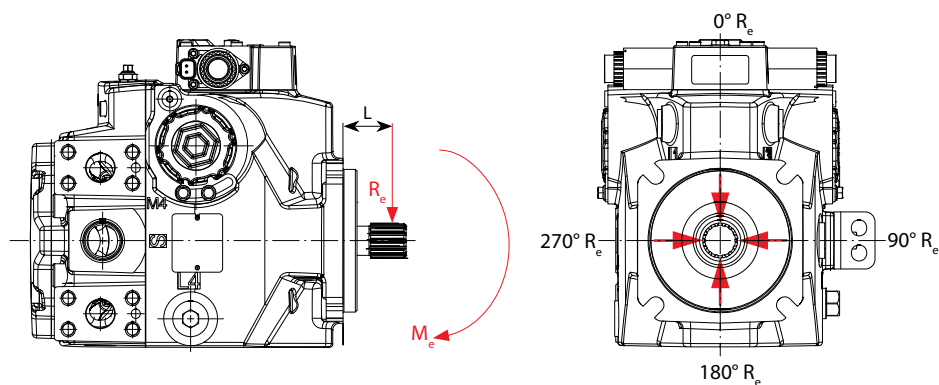
Danfoss recommends clamp-type couplings for applications with radial shaft loads. Contact your Danfoss representative for an evaluation of unit bearing life if you have continuously applied external loads exceeding 25 % of the maximum allowable radial load (R_e) or the pump swash-plate is positioned on one side of center all or most of the time.

Maximum external shaft load based on shaft deflection

External radial moment	Unit	Size 089/100
M_e	N·m [lbf·in]	118 [1044]

External radial shaft loads impact lifetime. For lifetime calculations please contact your Danfoss representative. In applications with external shaft loads, minimize the impact by positioning the load at 0° or 180° as shown below.

Radial load position



The maximum allowable radial shaft load (R_e) is based on the maximum external moment (M_e) and the distance (L) from the mounting flange to the load. It may be determined using the following formula:

$$R_e = \frac{M_e}{L}$$

Thrust loads should be avoided. Contact your Danfoss representative in the event thrust loads are anticipated.

Technical Specifications

Charge pump

Charge Pump Selection

In most applications a general guideline is that the charge pump displacement should be at least 10% of the total displacement of all components in the system. Unusual application conditions may require a more detailed review of charge flow requirements. System features and conditions which may invalidate the 10% guideline include (but are not limited to):

- Continuous operation at low input speeds < 1500 min⁻¹ (rpm)
- High shock loading and/or long loop lines
- High flushing flow requirements
- Multiple low speed high torque motors
- High input shaft speeds

Contact your Danfoss representative for application assistance if your application includes any of these conditions.

For more information, see *Selection of Drive line Components*, **BC157786484430**.

20/24 cm³ Charge Pump – Flow and Power Curves

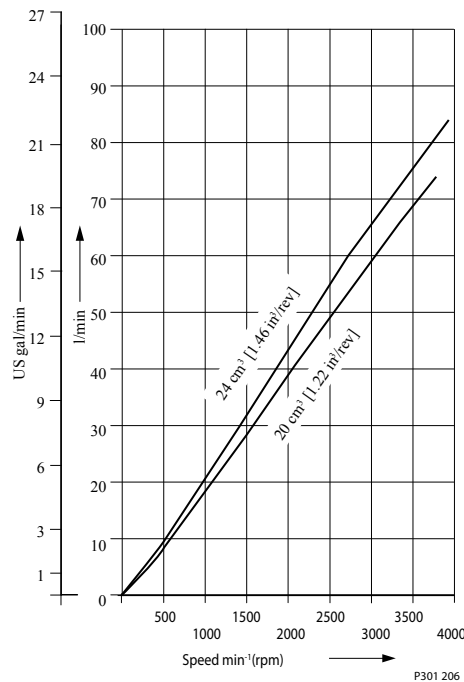
Charge pump flow and power requirements curves shown below at the following conditions:

Charge pressure = 20 bar [290 psi]

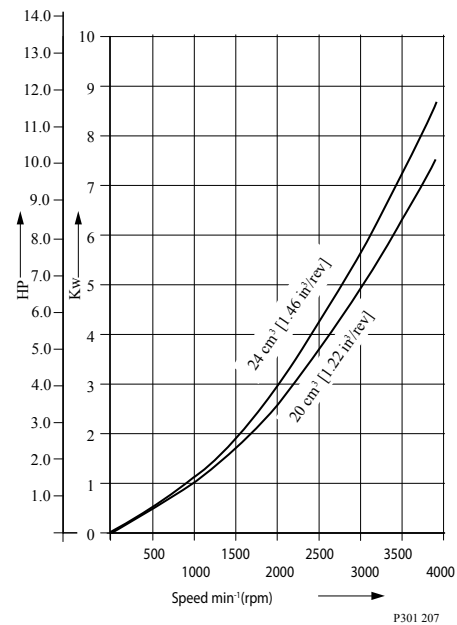
Viscosity = 11 mm²/s [63 SUS]

Temperature = 80°C [176°F]

Charge pump flow



Charge pump power requirements



Master Model Code

Displacement, A—Rotation, B—Product Version, Z—Port Configuration



Displacement

089	89.2 cm ³ [5.44 in ³]
100	101.7 cm ³ [6.21 in ³]

A – Direction of Rotation

L	Left hand (counter clockwise)
R	Right hand (clockwise)

B – Product version

B	Revision code
----------	---------------

Z – Port configuration

A	Inch, Customer O-ring port sealing according to ISO 11926-1
----------	---

Master Model Code

Automotive Controls

Automotive Control (AC)

Code	AC type	Voltage	MOR	Speed sensor	Wire harness	Angle sensor	Connector
P6	AC-1	12 V	●	●	●	—	DEUTSCH
P7	AC-1	24 V	●	●	●	—	DEUTSCH
P8	AC-2	12 V	●	●	●	●	DEUTSCH
P9	AC-2	24 V	●	●	●	●	DEUTSCH
P5	AC-1	12 V	●	—	—	—	DEUTSCH
R3	AC-1	24 V	●	—	—	—	DEUTSCH
R4	AC-2	12 V	●	—	—	●	DEUTSCH
R5	AC-2	24 V	●	—	—	●	DEUTSCH

● – To be used for the control; — Not to be used for the control

Manual Displacement Control

Manual Displacement Control (MDC)

Code	Control type	CCO Voltage	CCO	Neutral Start Switch	Connector
M1	MDC	—	—	—	—
M2	MDC	—	—	●	DEUTSCH
M3	MDC	12 V	●	—	DEUTSCH
M4	MDC	24 V	●	—	DEUTSCH
M5	MDC	12 V	●	●	DEUTSCH
M6	MDC	24 V	●	●	DEUTSCH

Align with options **F**: Orifices and **Y**: Settings for adjustment (if applicable).

Master Model Code

G—Endcap



G – End-cap Options

Twin port, ISO 6162 split flange ports; Align with T: Filtration

D3	Integral pressure filtration
D6	Suction filtration
D8	Remote filtration or external charge supply

Control Options

Electrical Displacement Control (EDC)

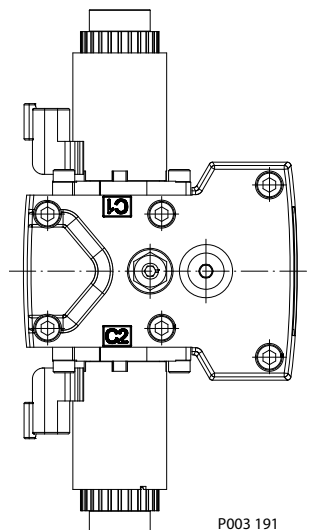
An EDC is a displacement (flow) control. Pump swash plate position is proportional to the input command and therefore vehicle or load speed (excluding influence of efficiency), is dependent only on the prime mover speed or motor displacement.

The Electrical Displacement Control (**EDC**) consists of a pair of proportional solenoids on each side of a three-position, four-way porting spool. The proportional solenoid applies a force input to the spool, which ports hydraulic pressure to either side of a double acting servo piston. Differential pressure across the servo piston rotates the swash plate, changing the pump's displacement from full displacement in one direction to full displacement in the opposite direction.

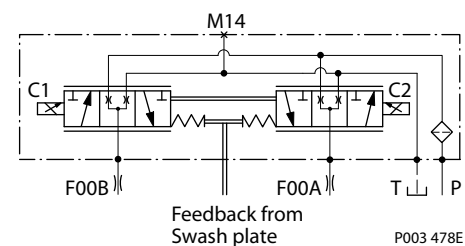
A serviceable 170 μm screen is located in the supply line immediately before the control porting spool.

Under some circumstances, such as contamination, the control spool could stick and cause the pump to stay at some displacement.

Electrical Displacement Control



EDC schematic, feedback from swash plate



EDC Operation

H1 EDC's are current driven controls requiring a Pulse Width Modulated (PWM) signal. Pulse width modulation allows more precise control of current to the solenoids.

The PWM signal causes the solenoid pin to push against the porting spool, which pressurizes one end of the servo piston, while draining the other. Pressure differential across the servo piston moves the swashplate.

A swashplate feedback link, opposing control links, and a linear spring provide swashplate position force feedback to the solenoid. The control system reaches equilibrium when the position of the swashplate spring feedback force exactly balances the input command solenoid force from the operator. As hydraulic pressures in the operating loop change with load, the control assembly and servo/swashplate system work constantly to maintain the commanded position of the swashplate.

The EDC incorporates a positive neutral deadband as a result of the control spool porting, preloads from the servo piston assembly, and the linear control spring. Once the neutral threshold current is reached, the swashplate is positioned directly proportional to the control current. To minimize the effect of the control neutral deadband, we recommend the transmission controller or operator input device incorporate a jump up current to offset a portion of the neutral deadband.

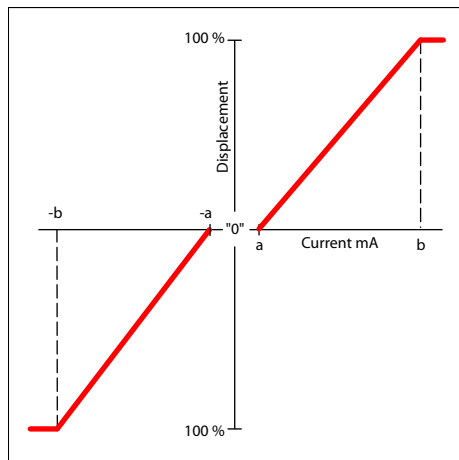
The neutral position of the control spool does provide a positive preload pressure to each end of the servo piston assembly.

When the control input signal is either lost or removed, or if there is a loss of charge pressure, the spring-loaded servo piston will automatically return the pump to the neutral position.

Control Options

Control Signal Requirements, EDC 089/100

Pump displacement vs. control current



EDC control current

Voltage		12 V _{DC}	24 V _{DC}
Minimum current to stroke pump	a*	640 mA	330 mA
	b	1640 mA	820 mA
Pin connections		any order	

* Factory test current, for vehicle movement or application actuation expect higher or lower value.

Control Solenoid Data

Description		12 V	24 V
Maximum current		1800 mA	920 mA
Nominal coil resistance	@ 20 °C [68 °F]	3.66 Ω	14.20 Ω
	@ 80 °C [176 °F]	4.52 Ω	17.52 Ω
Inductance		33 mH	140 mH
PWM signal frequency	Range	70 – 200 Hz	
	Recommended*	100 Hz	
IP Rating	IEC 60 529	IP 67	
	DIN 40 050, part 9	IP 69K with mating connector	
Connector color		Black	

* PWM signal required for optimum control performance.

Single Pump Output Flow Direction

Shaft rotation	Clock-Wise (CW)		Counter-Clock-Wise (CCW)	
	C1	C2	C1	C2
Coil energized*				
Port A	out	in	in	out
Port B	in	out	out	in
Servo port pressurized	M4	M5	M4	M5

* For coil location see installation drawings.

Control Options

Connector

Connector DEUTSCH, 2-pin



Description	Quantity	Order data
Mating connector	1	DEUTSCH DT06-2S
Wedge lock	1	DEUTSCH W2S
Socket contact (16–18 AWG)	2	DEUTSCH 0462-201-16141
Danfoss mating connector kit	1	K29657

Control Response

H1P controls are available with optional control passage orifices to assist in matching the rate of swash-plate response to the application requirements (e.g. in the event of electrical failure).

The time required for the pump output flow to change from zero to full flow (acceleration) or full flow to zero (deceleration) is a net function of spool porting, orifices, and charge pressure.

A swash-plate response times table is available for each frame size. Testing should be conducted to verify the proper orifice selection for the desired response. Typical response times at the following conditions:

$\Delta p = 250 \text{ bar}$ [3626 psi]

Charge pressure = 20 bar [290 psi]

Viscosity and temperature = 30 mm²/s [141 SUS] and 50 °C [122 °F]

Speed = 1800 min⁻¹ (rpm)

Response Time, EDC 089/100

Stroking direction	0.8 mm [0.03 in] orifice	1.3 mm [0.05 in] orifice	No orifice
Neutral to full flow	3.8 s	1.8 s	1.0 s
Full flow to neutral	2.2 s	1.0 s	0.6 s

Control Options

Manual Displacement Control (MDC)

A Manual proportional Displacement Control (**MDC**) consists of a handle on top of a rotary input shaft. The shaft provides an eccentric connection to a feedback link. This link is connected on its one end with a porting spool. On its other end the link is connected the pumps swashplate.

This design provides a travel feedback without spring. When turning the shaft the spool moves thus providing hydraulic pressure to either side of a double acting servo piston of the pump.

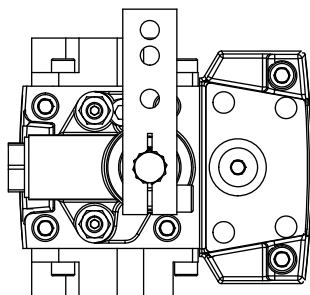
Differential pressure across the servo piston rotates the swash plate, changing the pump's displacement. Simultaneously the swashplate movement is fed back to the control spool providing proportionality between shaft rotation on the control and swash-plate rotation. The MDC changes the pump displacement between no flow and full flow into opposite directions.

Under some circumstances, such as contamination, the control spool could stick and cause the pump to stay at some displacement.

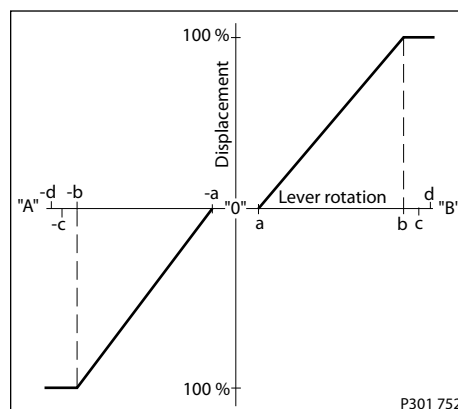
For the MDC with CCO option the brake port (X7) provides charge pressure when the coil is energized to activate static function such as a brake release. The X7 port must not be used for any continuous oil consumption.

The MDC is sealed by means of a static O-ring between the actuation system and the control block. Its shaft is sealed by means of a special O-ring which is applied for low friction. The special O-ring is protected from dust, water and aggressive liquids or gases by means of a special lip seal.

Manual Displacement Control



Pump displacement vs. control lever rotation



Deadband on **B** side: **a = 3° ± 1°**
 Maximum pump stroke: **b = 30° +2/-1°**
 Required customer end stop: **c = 36° ± 3°**
 Internal end stop: **d = 40°**

Control Options
MDC Operation

The MDC provides a mechanical dead-band required to overcome the tolerances in the mechanical actuation. The MDC contains an internal end stop to prevent turning the handle into any inappropriate position.

The MDC provides a permanent restoring moment appropriate for turning the MDC input shaft back to neutral position only. This is required to take the backlash out of the mechanical connections between the Bowden cable and the control.

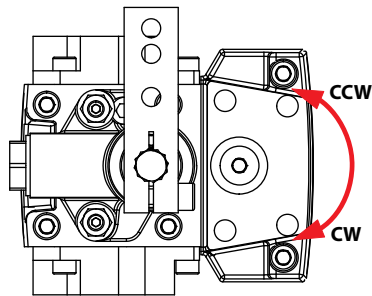
Caution

High case pressure may cause excessive wear and the NSS to indicate that the control is not in neutral position. In addition, if the case pressure exceeds 5 bar there is a risk of an insufficient restoring moment. The MDC is designed for a maximum case pressure of 5 bar and a rated case pressure of 3 bar.

- Customers must install some support to limit the setting range of their Bowden cable to avoid an overload of the MDC.
- Customers can apply their own handle design but they must care about a robust clamping connection between their handle and the control shaft and avoid overload of the shaft.
- Customers can connect two MDC's on a tandem unit in such a way that the actuation force will be transferred from the pilot control to the second control. The kinematic of the linkages must ensure that either control shaft is protected from torque overload.

Caution

Using the internal spring force on the input shaft is not an appropriate way to return the customer connection linkage to neutral, or to force a Bowden cable or a joystick back to neutral position. It is not applicable for any limitation of the Bowden cable stroke, except the applied torque to the shaft will never exceed 20 N·m.

MDC Shaft Rotation


Pump shaft rotation*	Clock Wise (CW)		Counter Clock Wise (CCW)	
	CW	CCW	CW	CCW
Port A	in (low)	out (high)	out (high)	in (low)
Port B	out (high)	in (low)	in (low)	out (high)
Servo port high pressure	M5	M4	M5	M4

* As seen from shaft side.

Control Options

MDC Torque

Description	Value
Torque required to move handle to maximum displacement	1.4 N•m [12.39 lbf•in]
Torque required to hold handle at given displacement	0.6 N•m [5.31 lbf•in]
Maximum allowable input torque	20 N•m [177 lbf•in]

! Caution

Volumetric efficiencies of the system will have impacts on the start and end input commands.

Control Response

H1P controls are available with optional control passage orifices to assist in matching the rate of swash-plate response to the application requirements (e.g. in the event of electrical failure).

The time required for the pump output flow to change from zero to full flow (acceleration) or full flow to zero (deceleration) is a net function of spool porting, orifices, and charge pressure.

A swash-plate response times table is available for each frame size. Testing should be conducted to verify the proper orifice selection for the desired response. Typical response times at the following conditions:

$\Delta p = 250 \text{ bar}$ [3626 psi]

Charge pressure = 20 bar [290 psi]

Viscosity and temperature = 30 mm²/s [141 SUS] and 50 °C [122 °F]

Speed = 1800 min⁻¹ (rpm)

Response time, MDC 089/100

Code	Orifice description (mm)			Stroking direction	
	Tank (A+B)	P	A/B	Neutral to full flow	Full flow to neutral
C3	No orifice			0.5 s	0.6 s
C6	1	–	–	1.7 s	1.5 s
C7	1.3	–	–	1.1 s	1.0 s
D1	0.8	1	–	3.1 s	2.4 s
D2	0.8	1.3	–	2.8 s	2.2 s
D3	1	1.3	–	2.0 s	1.6 s
D4	1	1.3	1.3	2.4 s	1.9 s

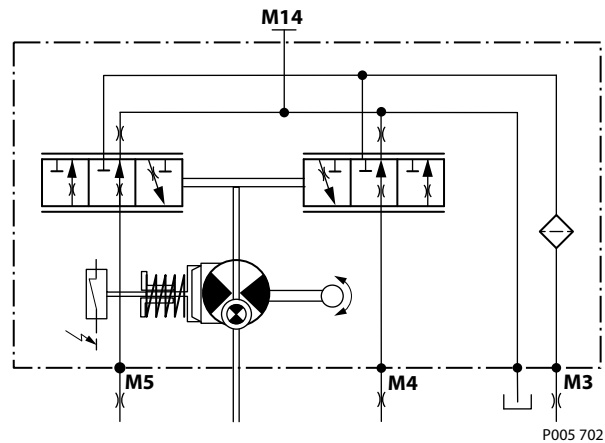
For further data please contact your Danfoss representative.

Control Options

Neutral Start Switch (NSS)

The Neutral Start Switch (**NSS**) contains an electrical switch that provides a signal of whether the control is in neutral. The signal in neutral is Normally Closed (**NC**).

Neutral Start Switch schematic



Neutral Start Switch data

Max. continuous current with switching	8.4 A
Max. continuous current without switching	20 A
Max. voltage	36 V _{DC}
Electrical protection class	IP67 / IP69K with mating connector

Connector

Connector DEUTSCH, 2-pin



Description	Quantity	Order data
Mating connector	1	DEUTSCH DT06-2S
Wedge lock	1	DEUTSCH W2S
Socket contact (16–18 AWG)	2	DEUTSCH 0462-201-16141
Danfoss mating connector kit	1	K29657

Case Gauge Port M14

The drain port should be used when the control is mounted on the unit's bottom side to flush residual contamination out of the control.

Lever

MDC-controls are available with an integrated lever.

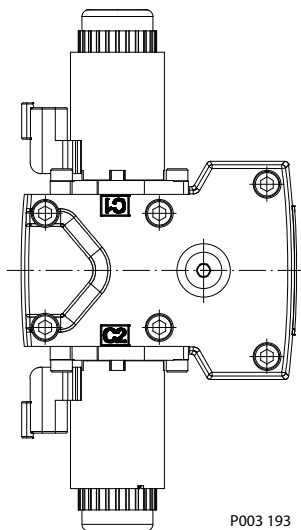
Control Options

Forward-Neutral-Reverse Control (FNR)

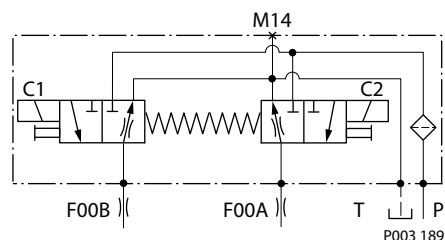
The 3-position FNR control options **A9** (12 V) and **B1** (24 V) uses an electric input signal to switch the pump to a full stroke position. A serviceable 125 µm screen is located in the supply line immediately before the control porting spool.

Under some circumstances, such as contamination, the control spool can stick and cause the pump to stay at some displacement.

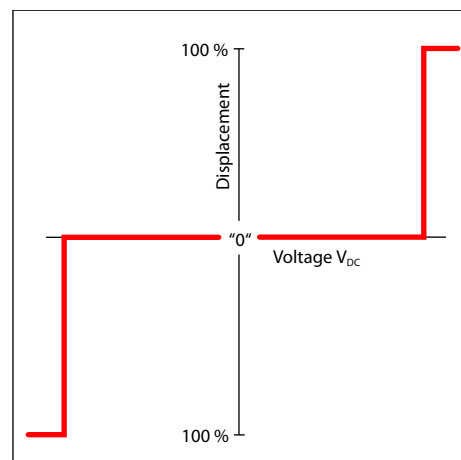
Forward-Neutral-Reverse electric control (FNR)



FNR hydraulic schematic



Pump displacement vs. electrical signal



FNR control current

Voltage	12 V _{DC}	24 V _{DC}
Minimum current to stroke pump	750 mA	380 mA
Pin connections	any order	

Control Options

FNR Solenoid Data

Solenoid data

Voltage	12 V _{DC}	24 V _{DC}
Minimum supply voltage	9.5 V _{DC}	19 V _{DC}
Maximum supply voltage (continuous)	14.6 V _{DC}	29 V _{DC}
Bi-directional diode cut off voltage	28 V _{DC}	53 V _{DC}
Maximum current	1050 mA	500 mA
Nominal coil resistance @ 20°C	8.4 Ω	34.5 Ω
PWM Range	70 – 200 Hz	
PWM Frequency (preferred)*	100 Hz	

* PWM signal required for optimum control performance.

Electrical Protection	Standard	Class
IP Rating	IEC 60 529	IP 67
	DIN 40 050, part 9	IP 69K with mating connector

Single Pump Output Flow Direction

Shaft rotation	Clock-Wise (CW)		Counter-Clock-Wise (CCW)	
	C1	C2	C1	C2
Coil energized*				
Port A	in	out	out	in
Port B	out	in	in	out
Servo port pressurized	M5	M4	M5	M4

* For coil location see installation drawings.

Connector

Connector DEUTSCH, 2-pin



Description	Quantity	Order data
Mating connector	1	DEUTSCH DT06-2S
Wedge lock	1	DEUTSCH W2S
Socket contact (16–18 AWG)	2	DEUTSCH 0462-201-16141
Danfoss mating connector kit	1	K29657

Control Options

Control Response

H1P controls are available with optional control passage orifices to assist in matching the rate of swash-plate response to the application requirements (e.g. in the event of electrical failure).

The time required for the pump output flow to change from zero to full flow (acceleration) or full flow to zero (deceleration) is a net function of spool porting, orifices, and charge pressure.

A swash-plate response times table is available for each frame size. Testing should be conducted to verify the proper orifice selection for the desired response. Typical response times at the following conditions:

$\Delta p = 250 \text{ bar}$ [3626 psi]

Charge pressure = 20 bar [290 psi]

Viscosity and temperature = 30 mm²/s [141 SUS] and 50 °C [122 °F]

Speed = 1800 min⁻¹ (rpm)

Response Time, FNR 089/100

Stroking direction	0.8 [0.03] orifice	1.3 [0.05] orifice	No orifice
Neutral to full flow	3.7 s	1.7 s	1.1 s
Full flow to neutral	3.0 s	1.3 s	0.6 s

Control Options

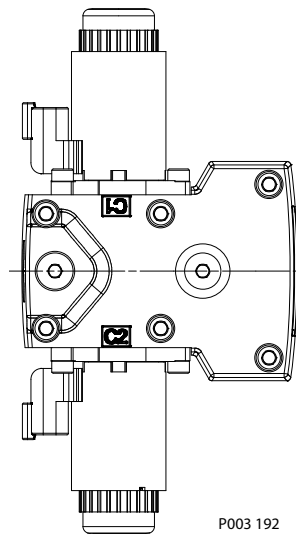
Non Feedback Proportional Electric Control (NFPE)

The Non Feedback Proportional Electric (NFPE) control is an electrical automotive control in which an electrical input signal activates one of two proportional solenoids that port charge pressure to either side of the pump servo cylinder. The NFPE control has no mechanical feedback mechanism.

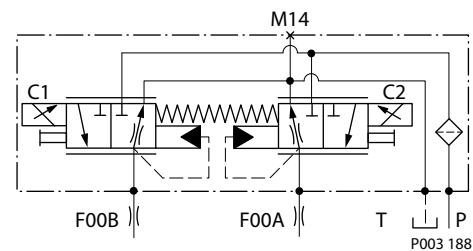
A serviceable 170 μm screen is located in the supply line immediately before the control porting spool.

Under some circumstances, such as contamination, the control spool could stick and cause the pump to stay at some displacement.

Non Feedback Proportional Electric Control



NFPE schematic

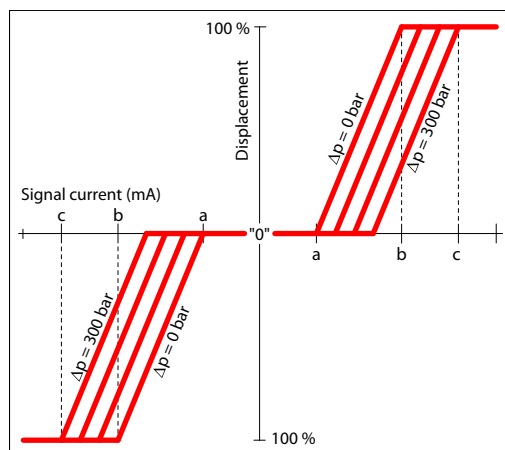


Control Signal Requirements, NFPE 089/100

The pump displacement is proportional to the solenoid signal current, but it also depends upon pump input speed and system pressure. This characteristic also provides a power limiting function by reducing the pump swash-plate angle as system pressure increases.

A typical response characteristic is shown in the accompanying graph below:

Pump displacement vs. input signal



Control Options

Control current requirements

Voltage*	a	b	c	Pin config.
12 V _{DC}	694 mA	1168 mA	1540 mA	any order
24 V _{DC}	347 mA	600 mA	770 mA	

* Factory test current, for vehicle movement or application actuation expect higher or lower value.

Control Solenoid Data

Description		12 V	24 V
Maximum current		1800 mA	920 mA
Nominal coil resistance	@ 20 °C [68 °F]	3.66 Ω	14.20 Ω
	@ 80 °C [176 °F]	4.52 Ω	17.52 Ω
Inductance		33 mH	140 mH
PWM signal frequency	Range	70 – 200 Hz	
	Recommended*	100 Hz	
IP Rating	IEC 60 529	IP 67	
	DIN 40 050, part 9	IP 69K with mating connector	
Connector color		Black	

* PWM signal required for optimum control performance.

Single Pump Output Flow Direction

Shaft rotation	Clock-Wise (CW)		Counter-Clock-Wise (CCW)	
	C1	C2	C1	C2
Coil energized*				
Port A	in	out	out	in
Port B	out	in	in	out
Servo port pressurized	M5	M4	M5	M4

* For coil location see installation drawings.

Connector

Connector DEUTSCH, 2-pin



Description	Quantity	Order data
Mating connector	1	DEUTSCH DT06-2S
Wedge lock	1	DEUTSCH W2S
Socket contact (16–18 AWG)	2	DEUTSCH 0462-201-16141
Danfoss mating connector kit	1	K29657

Control Options**Control Response**

H1P controls are available with optional control passage orifices to assist in matching the rate of swash-plate response to the application requirements (e.g. in the event of electrical failure).

The time required for the pump output flow to change from zero to full flow (acceleration) or full flow to zero (deceleration) is a net function of spool porting, orifices, and charge pressure.

A swash-plate response times table is available for each frame size. Testing should be conducted to verify the proper orifice selection for the desired response. Typical response times at the following conditions:

$\Delta p = 250 \text{ bar [3626 psi]}$

Charge pressure = 20 bar [290 psi]

Viscosity and temperature = 30 mm²/s [141 SUS] and 50 °C [122 °F]

Speed = 1800 min⁻¹ (rpm)

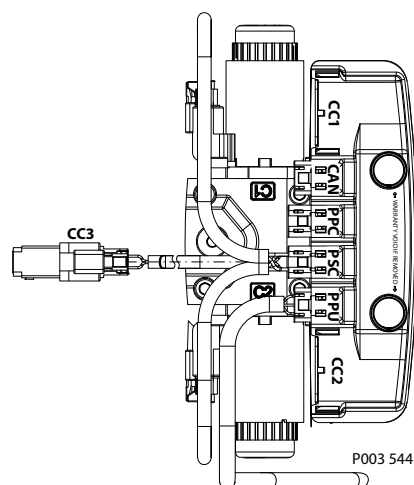
Response Time, NFPE 089/100

Stroking direction	0.8 mm [0.03 in] orifice	1.3 mm [0.05 in] orifice	2.3 mm [0.09 in] orifice
Neutral to full flow	4.3 s	1.9 s	0.8 s
Full flow to neutral	2.6 s	1.1 s	0.5 s

Control Options

Automotive Control (AC)

The H1 **A**utomotive Control (AC) is an electric NFPE Control with an integrated micro-controller, installed on the pump. The integrated micro-controller enhanced control performance with a flexible, configurable control scheme for an entire single path propel transmission. It can be used in combination with fixed and variable displacement hydraulic-motors. With the pre-installed application software and easily changeable control parameters, it is possible to tailor the vehicle's driving behavior to the individual requirements of the customer.



The H1 Automotive Control is divided into 2 systems:

- AC-1
- AC-2

AC-2 is an extension of AC-1 that features an integrated pump swash plate angle sensor and software enabled functions such as Swash Plate Control.

Mode types

The application software provides 3 different hydrostatic propel methods, defined as mode types, which can be used individually.

- **Automotive Load dependent** (torque controlled) driving behavior. Setpoint for the drive curve is the engine rpm.
- **Non-Automotive Load independent** (speed controlled) driving mode. Setpoint for the drive curve is a Joystick or drive pedal signal, independent of the engine rpm. The best performance will be achieved with an AC-2 Swash Plate Angle Sensor.
- **Creep-Automotive Load dependent** (torque controlled) driving behavior (like Automotive). Setpoint for the drive curve is the engine rpm. The setpoint can be reduced by the creep potentiometer if a high engine rpm in combination with low vehicle speed is needed.

Basic functions

- Four selectable system modes, selectable via switch.
- Individual settings for forward and reverse driving direction (4 x 2 curves).
- Independent pump and hydraulic-motor profiling and ramping for each mode.
- Electric drive pedal connection
- Electronic inching function without separate control valve
- Electric creep mode potentiometer

Control Options

- Configurable System Mode & Direction change
- Load independent pump displacement control with integrated Swash Plate Angle Sensor (AC-2)
- Hydraulic-motor displacement control including brake pressure defeat function

Performance functions

- ECO fuel saving mode with automatic reduction of the engine speed during transport (Cruise control)
- Vehicle constant speed drive control
- Vehicle speed limitation
- Dynamic brake light, automatic park brake, reverse buzzer and status LED outputs
- Vehicle speed controlled output function.
- Temperature compensation for predictable performance
- Advanced CAN J1939 interface for the information exchange with the vehicle control system

Protection and safety functions

- Safety controlled vehicle start protection with engine speed check, battery check and FNR must be in neutral, etc..
- Operator presence detection
- Hydraulic system overheat and low-temperature protection
- Hydraulic motor over speed protection
- Park brake test mode for roller applications to fulfill SAE J1472 / EN500-4.
- SIL2 compliant

Engine control and protection

- CAN J1939 engine interface
- Engine speed control via drive pedal with safety controlled monitoring function
- Engine antistall protection
- Engine over speed protection during inching
- Engine speed dependent Retarder control
- Engine cold start protection

Installation features

- Factory calibration for hysteresis compensation.
- Starting current adjustment in the factory
- Pre-installed application software and parameter files

For more information, see [Automotive Control for H1 Single Pumps Technical Information, BC152986482596](#).

Control Options

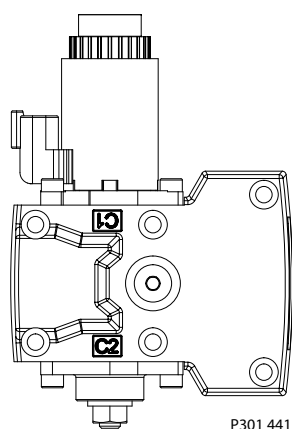
Fan Drive Control (FDC)

The Fan Drive Control (**FDC**) is a non-feedback control in which an electrical input signal activates the proportional solenoid that ports charge pressure to either side of the pump servo cylinder. The single proportional solenoid is used to control pump displacement in the forward or reverse direction.

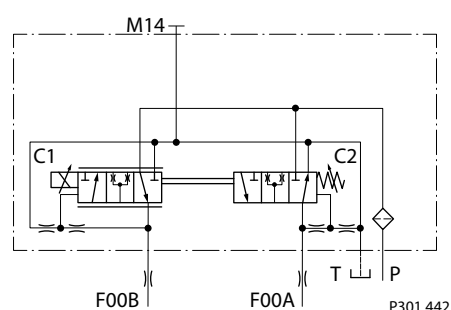
The control spool is spring biased to produce maximum forward pump displacement in the absence of an electrical input signal. Based on the spring bias spool default forward flow for a CW rotation pump is out of port B while default forward flow for a CCW rotation pump is out of port A.

Under some circumstances, such as contamination, the control spool could stick and cause the pump to stay at some displacement.

FDC control



FDC schematic



The pump should be configured with 0.8 mm control orifices to provide slowest response and maximize system stability. Additionally, pressure limiter (PL) valves are used to limit maximum fan trim speed in both (forward and reverse) directions.

H1 pumps with FDC will be delivered from factory with nominal pressure limiter setting of 150 bar [2175 psi]. The PL must be re-adjusted to ensure that the fan reaches the desired fan speed to satisfy the cooling needs of the system. HPRV setting must be always at least 30 bar [435 psi] higher than PL setting.

For more information necessary to properly size and configure a hydraulic fan drive system, see *Hydraulic Fan Drive Design Guidelines* **AB152886482265**.

Warning

Use in other systems could result in unintended movement of the machine or it's elements. Loss of the input signal to this control will cause the pump to produce maximum flow.
The FDC is for Fan Drive systems only!

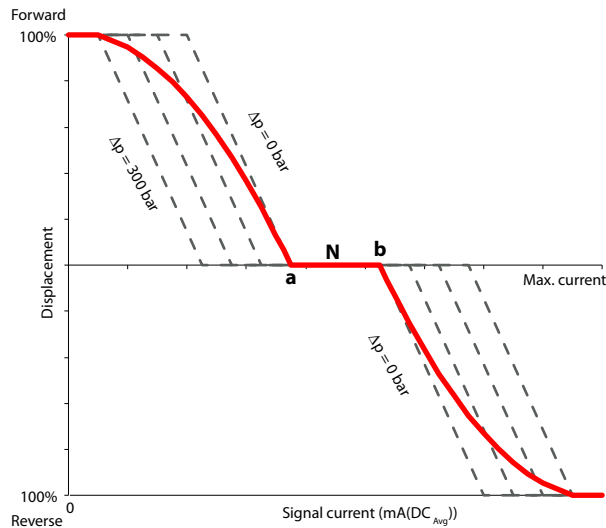
Due to the fail-safe functionality of the FDC control the pump will stroke to max. displacement in case the input signal to the pump control and the Diesel engine will be switched off at the same time. In this situation a low loop event can occur which may damage the pump. Therefore, it's strictly recommended to keep the input signal to the pump control alive while switching off the engine.

For further information please contact your Danfoss representative.

Control Options

Control Signal Requirements, FDC 089/100

The pump displacement is proportional to the solenoid signal current, but it also depends upon pump input speed and system pressure. This characteristic also provides a power limiting function by reducing the pump swash plate angle as system pressure increases. A typical response characteristic is shown in the accompanying graph below:



- a** – Forward threshold
- b** – Reverse threshold
- N** – Neutral override current

Control current requirements

Voltage*	a	N	b	Pin config.
12 V _{DC}	780 mA	1100 mA	1300 mA	any order
24 V _{DC}	400 mA	550 mA	680 mA	

* Factory test current, for fan movement expect higher or lower value.

Control Solenoid Data

Description		12 V	24 V
Maximum current		1800 mA	920 mA
Nominal coil resistance	@ 20 °C [68 °F]	3.66 Ω	14.20 Ω
	@ 80 °C [176 °F]	4.52 Ω	17.52 Ω
Inductance		33 mH	140 mH
PWM signal frequency	Range	70 – 200 Hz	
	Recommended*	100 Hz	
IP Rating	IEC 60 529	IP 67	
	DIN 40 050, part 9	IP 69K with mating connector	
Connector color		Black	

* PWM signal required for optimum control performance.

Control Options

Single Pump Output Flow Direction

Pump output flow direction vs. control signal

Shaft rotation		ClockWise			CounterClockWise		
Control Logic	12 V	0-780 mA	1100 mA	1300-1800 mA	0-780 mA	1100 mA	1300-1800 mA
	24 V	0-400 mA	550 mA	680-920 mA	0-400 mA	550 mA	680-920 mA
Port A		in	no flow	out	out	no flow	in
Port B		out	no flow	in	in	no flow	out
Servo port pressurized		M5	n/a	M4	M5	n/a	M4

Warning

Loss of input signal to the control will cause the pump to produce maximum flow.

Connector

Connector DEUTSCH, 2-pin



Description	Quantity	Order data
Mating connector	1	DEUTSCH DT06-2S
Wedge lock	1	DEUTSCH W2S
Socket contact (16–18 AWG)	2	DEUTSCH 0462-201-16141
Danfoss mating connector kit	1	K29657

Control Response

H1P controls are available with optional control passage orifices to assist in matching the rate of swash-plate response to the application requirements (e.g. in the event of electrical failure).

The time required for the pump output flow to change from zero to full flow (acceleration) or full flow to zero (deceleration) is a net function of spool porting, orifices, and charge pressure.

A swash-plate response times table is available for each frame size. Testing should be conducted to verify the proper orifice selection for the desired response. Typical response times at the following conditions:

- $\Delta p = 250 \text{ bar}$ [3626 psi]
- Charge pressure = 20 bar [290 psi]
- Viscosity and temperature = 30 mm²/s [141 SUS] and 50 °C [122 °F]
- Speed = 1800 min⁻¹ (rpm)

Response Time, FDC 089/100

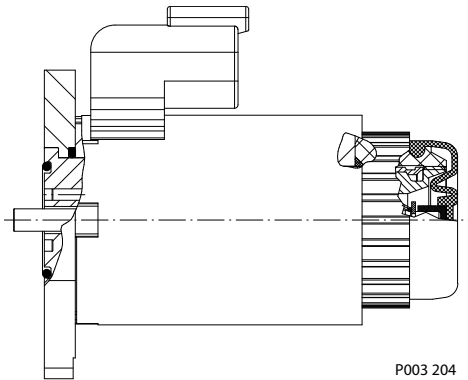
Stroking direction	0.8 mm [0.03 in] orifice
Full flow to neutral	3.9 s
Full forward flow to full reverse flow	5.6 s

Control Options

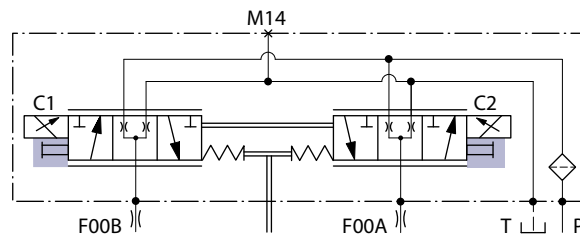
Manual Override (MOR)

All controls are available with a manual override functionality, either as a standard or as an option for temporary actuation of the control to aid in diagnostics.

Control with manual override



MOR schematic (EDC control shown)



Feedback from swash plate.

The MOR plunger has a 4 mm diameter and must be manually depressed to be engaged. Depressing the plunger mechanically moves the control spool which allows the pump to go on stroke. The MOR should be engaged anticipating a full stroke response from the pump.

An o-ring seal is used to seal the MOR plunger where initial actuation of the function will require a force of 45 N to engage the plunger. Additional actuation typically require less force to engage the MOR plunger.

Proportional control of the pump using the MOR should not be expected.

Warning

Unintended MOR operation will cause the pump to go into stroke; *example:* vehicle lifted off the ground. The vehicle or device must always be in a safe condition when using the MOR function.

Refer to control flow table for the relationship of solenoid to direction of flow.

Control Options

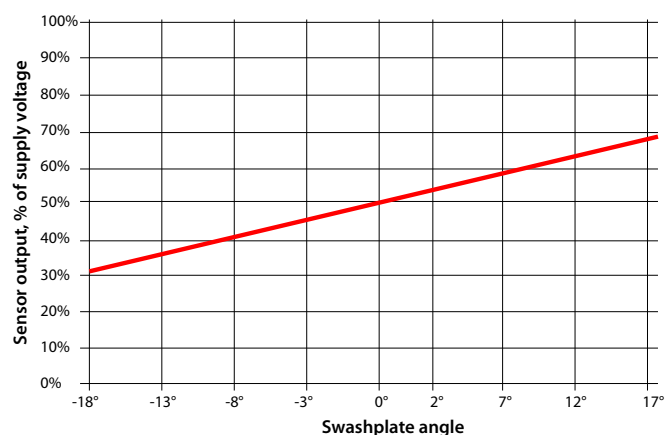
Swashplate Angle Sensor for EDC Controls

The angle sensor detects the swash plate position with an accuracy dependent upon the calibration effort done for the application and direction of rotation from the neutral position. At minimum the sensor can be used for forward, neutral and reverse (FNR) detection.

The sensor works on the hall-effect technology. The implemented technology is based on a measurement of the magnetic field direction in parallel to the chip surface. This field direction is converted to a voltage signal at the output.

Enhanced calibration of the non-linear behavior leads to more exact calculation of the pump swashplate angle. The 4-pin DEUTSCH connector is part of the sensor housing. The swashplate angle sensor is available for all EDC controls for 12 V and 24 V.

Swashplate angle vs. output of supply voltage



Warning

Strong magnetic fields in the proximity of the sensor can influence the sensor signal and must be avoided.

Contact your Danfoss representative in case the angle sensor will be used for safety functions.

Swash Plate Angle Sensor Parameters (EDC)

Parameter	Minimum	Typical	Maximum
Supply voltage range	4.5 V _{DC}	5 V _{DC}	5.5 V _{DC}
Supply protection	–	–	18 V _{DC}
Pump neutral output (% of supply voltage)	–	50%	–
Working range (swash plate angle)	–18°	–	18°
Required supply current	–	–	30 mA
Output current signal	–	9 mA	11 mA
Working temperature	–40 °C	80 °C	115 °C

Electrical Protection	Standard	Class
IP Rating	IEC 60 529	IP 67
	DIN 40 050, part 9	IP 69K with mating connector
EMC Immunity	ISO 11452-2	100 V/m

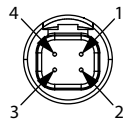
Control Options

Calibration of the sensor output within the software is mandatory. Vehicle neutral thresholds in the software ($\pm 0.5^\circ$) are vehicle dependent and must consider different conditions, example: system temperature, system pressure and/or shaft speed.

For safety function: If the sensor fails (invalid signal $< 10\%$ or $> 90\%$ of supply voltage), it must be sure that the ECU will go into a diagnostic mode and shift into limited mode in order for the driver to take the full control or the mechanical breaks should be activated. Strong magnetic fields in the proximity of the sensor can influence the sensor signal and must be avoided.

H1P Swash Plate Angle Sensor Connector

Connector DEUTSCH, 4-pin

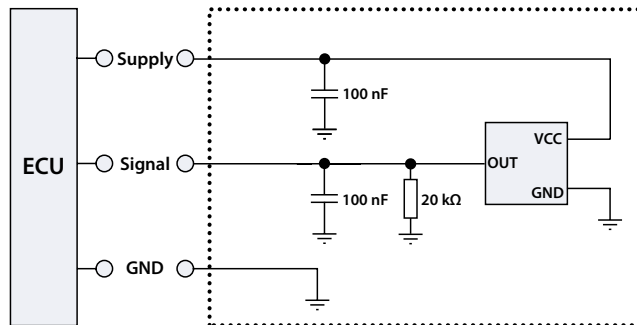


- 1** Ground (GND)
- 2** Not connected
- 3** Output signal 1 (SIG 1)
- 4** Supply (V+)

Description	Quantity	Order number
Mating connector	1	DEUTSCH DTM06-4S-E004
Wedge lock	1	DEUTSCH WM-4S
Socket contact	4	DEUTSCH 0462-201-2031
Blind socket	1	DEUTSCH 0413-204-2005
Danfoss mating connector kit	1	11212713

Interface with ECU (EDC)

Interface with ECU diagram

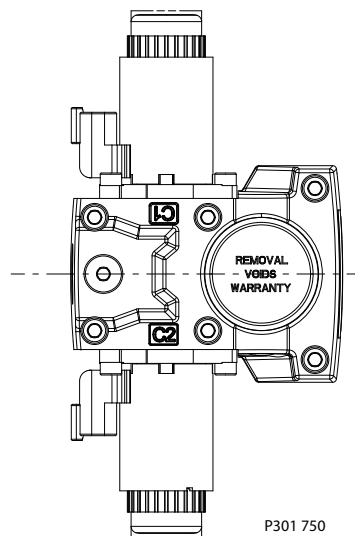


Control Options

Swash Plate Angle Sensor for NFPE and AC2 Controls

The angle sensor detects the swash plate angle position and direction of rotation from the zero position. The swash angle sensor works on the AMR sensing technology. Under the saturated magnetic field, the resistance of the element varies with the magnetic field direction.

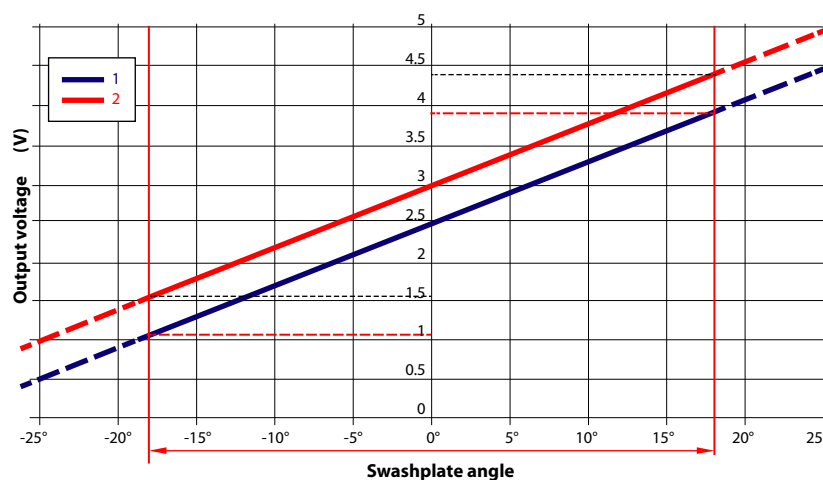
The output signal give a linear output voltage for the various magnet positions in the sensing range.



Swash Plate Angle Characteristic

The volumetric losses depend on pump max. displacement, actual displacement, speed, delta pressure, viscosity and temperature.

Swashplate angle vs. output voltage (calibrated at 50 °C)



1. Signal 1 (nominal)
2. Signal 2 (redundant)

The displacement can be calculated by:

$$V = \frac{\tan \alpha \cdot V}{\tan 18^\circ} \text{ (cm}^3\text{)}$$

The corresponding flow is:

$$Q = \frac{V \cdot n \cdot \eta_{\text{vol}}}{1000} \text{ (l/min)}$$

Control Options

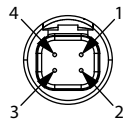
Swash Plate Angle Sensor Parameters (NFPE/AC)

Parameter	Minimum	Typical	Maximum
Supply voltage range	4.75 V	5 V	5.25 V
Supply protection	–	–	28 V
Supply current	–	22 mA	25 mA
Output current (Signal 1, 2)	–	0.1 mA	–
Short circuit output current to supply or GND ¹⁾	–	–	7.5 mA
Sensitivity	70.0 mV/deg	78.0 mV/deg	85.8 mV/deg
Working range (swash plate angle)	–18°	0°	18°
Correlation between signals 1 and 2 ²⁾	475 mV	500 mV	525 mV

¹⁾ Up to duration of 2.5 seconds at 25°C

²⁾ Signal 1 (nominal) is lower than signal 2 (redundant)

H1P Swash Plate Angle Sensor Connector (NFPE)

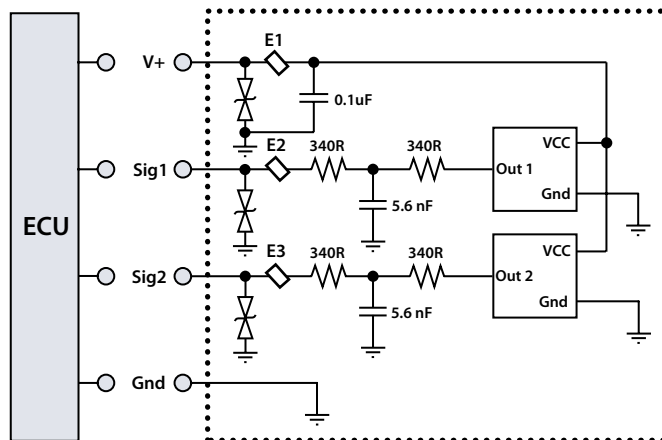


- 1** Ground (GND)
- 2** Output Signal 2 (SIG 2) – Secondary (redundant)
- 3** Output signal 1 (SIG 1)
- 4** Supply (V+)

Description	Quantity	Order number
Mating connector	1	DEUTSCH DTM06-4S-E004
Wedge lock	1	DEUTSCH WM-4S
Socket contact	4	DEUTSCH 0462-201-2031
Blind socket	1	DEUTSCH 0413-204-2005
Danfoss mating connector kit	1	11212713

Control Options

Interface with ECU (NFPE)



Minimum recommended load resistance is 100 k Ω .

Control Cut Off Valve (CCO)

The H1 pump offers an optional control cut off valve integrated into the control. All EDC, NFPE and MDC controls are available with a CCO valve. This valve will block charge pressure to the control, allowing the servo springs to de-stroke both pumps regardless of the pump's primary control input.

There is also a hydraulic logic port, X7, which can be used to control other machine functions, such as spring applied pressure release brakes. The pressure at X7 is controlled by the control cut off solenoid. The X7 port would remain plugged if not needed.

In the normal (de-energized) state of the solenoid charge flow is prevented from reaching the controls. At the same time the control passages and the X7 logic port are connected and drained to the pump case. The pump will remain in neutral, or return to neutral, independent of the control input signal. Return to neutral time will be dependent on oil viscosity, pump speed, swashplate angle, and system pressure.

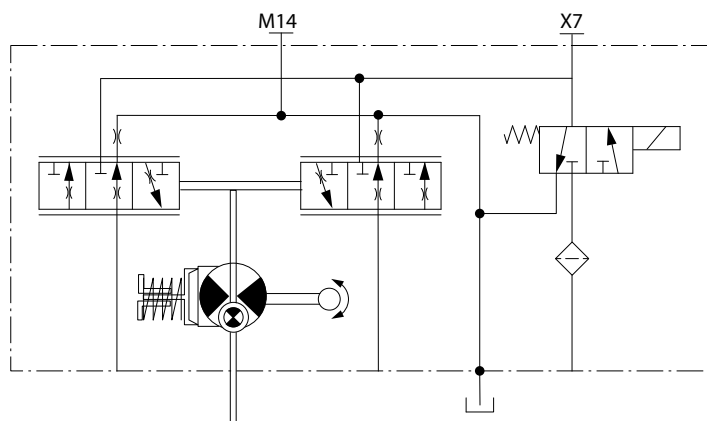
When the solenoid is energized, charge flow and pressure is allowed to reach the pump control. The X7 logic port will also be connected to charge pressure and flow.

The solenoid control is intended to be independent of the primary pump control making the control cut off an override control feature. It is however recommended that the control logic of the CCO valve be maintained such that the primary pump control signal is also disabled whenever the CCO valve is de-energized. Other control logic conditions may also be considered.

The CCO valve is available with 12 V or 24 V solenoid.

The response time of the unit depends on the control type and the used control orifices.

CCO schematic (MDC shown)



P005 703

Control Options

Brake gauge port with MDC

 **Caution**

It is not recommended to use brake port for any external flow consumption to avoid malfunction of CCO function.

Control Options

CCO Connector (MDC)

Connector DEUTSCH, 2-pin



Description	Quantity	Order data
Mating connector	1	DEUTSCH DT06-2S
Wedge lock	1	DEUTSCH W2S
Socket contact (16–18 AWG)	2	DEUTSCH 0462-201-16141
Danfoss mating connector kit	1	K29657

H1P CCO Connector (EDC, NFPE)

Connector CCO DEUTSCH, 2-pin with key C



Description	Quantity	Order number
Mating connector	1	DEUTSCH DT06-2S-C015
Wedge lock	1	DEUTSCH W2SC-P012
Socket contact	4	DEUTSCH 0462-201-16141
Danfoss mating connector kit	1	11212714

CCO Solenoid Data

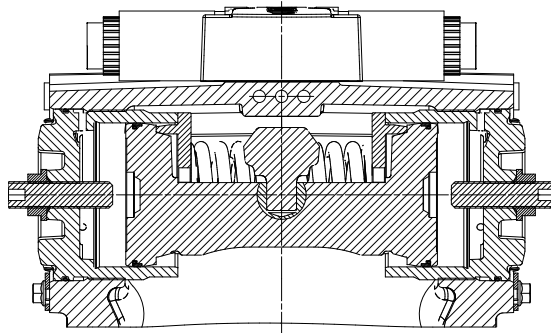
Nominal supply voltage		12 V	24 V
Supply voltage	Maximum	14.6 V	29 V
	Minimum	9.5 V	19 V
Bi-directional diode cut off voltage		28 V	53 V
Nominal coil resistance at 20 °C		10.7 Ω	41.7 Ω
Supply current	Maximum	850 mA	430 mA
	Minimum	580 mA	300 mA
PWM frequency	Range	50 – 200 Hz	
	Preferred	100 Hz	
Electrical protection class		IP67 / IP69K with mating connector	

CCO solenoids are design for battery voltage application within the voltage range in the table above, in consideration of a wide range of environmental temperature common for known hydraulic applications. Closed loop PWM current supply can be also applied and is helpful in case that the voltage range is exceeded, or ambient temperature could rise in an unusual manner.

Control Options
Displacement Limiter

H1 pumps are designed with optional mechanical displacement (stroke) limiters factory set to max. displacement. The maximum displacement of the pump can be set independently for forward and reverse using the two adjustment screws to mechanically limit the travel of the servo piston down to 50% displacement.

Adjustments under operating conditions may cause leakage. The adjustment screw can be completely removed from the threaded bore if backed out to far.



P003 266

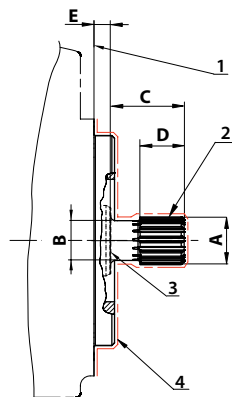
H1P 089/100 Displacement Change (approximately)

Parameter	Size 089	Size 100
1 turn of displacement limiter screw	9.3 cm ³ [0.57 in ³]	10.7 cm ³ [0.65 in ³]
Internal wrench size	5 mm	
External wrench size	17 mm	
Torque for external hex seal lock nut	48 N·m [424 lbf·in]	

For more information, see *H1 Axial Piston Pumps, Service Manual*, **AX152886482551**, the section "Displacement Limiter Adjustment".

Dimensions and Data

H1P 089/100 Input Shaft Option G1 (SAE C, 14 teeth)



1. Mounting flange 127 – 4 per ISO 3019-1; surface to be paint free
2. **Spline Data:** 14 teeth, Pressure angle: 30°, Pitch: 12/24, $\text{Ø}29.633$ [1.167]; Fillet root side fit per ANSI B92.1-1996, Class 6H
3. Coupling must not protrude beyond this point
4. Shaft to be paint free

Dimensions

A	B	C	D ¹⁾	E
$\text{Ø}31.14 \pm 0.08$ [1.226 ± 0.003]	$\text{Ø}26 \pm 0.13$ [1.024 ± 0.005]	48.1 ± 1.0 [1.894 ± 0.039]	28.8 ± 1.0 [1.134 ± 0.039]	7.94 ± 0.8 [0.313 ± 0.03]

¹⁾ Minimum active spline length for the specified torque ratings.

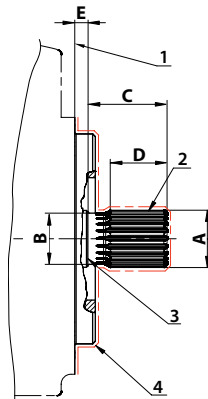
Torque rating

Rated torque	Maximum torque
534 N·m [4720 lb·in]	816 N·m [7220 lb·in]

For definitions of maximum and rated torque values, refer to *H1 Axial Piston Pumps Basic Information*, **BC152886483968**, the section “Shaft Torque Ratings and Spline Lubrication”.

Dimensions and Data

H1P Input Shaft Option G3 (SAE C, 13 teeth)



1. Mounting flange 127 – 4 per ISO 3019-1; surface to be paint free
2. **Spline Data:** 13 teeth, Pressure angle: 30°, Pitch: 8/16, $\text{Ø}41.275$ [1.625]; Fillet root side fit per ANSI B92.1-1996, Class 5
3. Coupling must not protrude beyond this point
4. Shaft to be paint free

Dimensions

A	B	C	D ¹⁾	E
$\text{Ø}44.4 \pm 0.09$ [1.746 ± 0.004]	$\text{Ø}36.4 \pm 0.25$ [1.433 ± 0.01]	67.0 ± 1.0 [2.638 ± 0.039]	39.5 ± 1.0 [1.555 ± 0.039]	8.05 ± 0.8 [0.317 ± 0.03]

¹⁾ Minimum active spline length for the specified torque ratings.

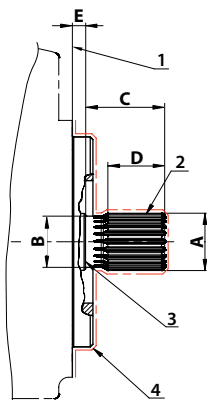
Torque rating

Rated torque	Maximum torque
1442 N·m [12 800 lbf·in]	2206 N·m [19 500 lbf·in]

For definitions of maximum and rated torque values, refer to *H1 Axial Piston Pumps Basic Information*, **BC152886483968**, the section “Shaft Torque Ratings and Spline Lubrication”.

Dimensions and Data

H1P 089/100 Input Shaft Option G9 (SAE C-C, 23 teeth)



1. Surface of mounting flange 127 – 4 per ISO 3019-1 (SAE C); to be paint free
2. **Spline Data:** 23 teeth, Pressure angle: 30°, Pitch: 16/32, $\text{Ø}36.513$ [1.438]; Fillet root side fit per ANSI B92.1-1996, Class 6H
3. Coupling must not protrude beyond this point
4. Shaft to be paint free

Dimensions

A	B	C	D ¹⁾	E
$\text{Ø}37.59 \pm 0.08$ [1.480 ± 0.003]	$\text{Ø}33.6 \pm 0.13$ [1.323 ± 0.005]	54.0 ± 1.0 [2.126 ± 0.039]	38.2 ± 1.0 [1.504 ± 0.039]	7.94 ± 0.8 [0.313 ± 0.03]

¹⁾ Minimum active spline length for the specified torque ratings.

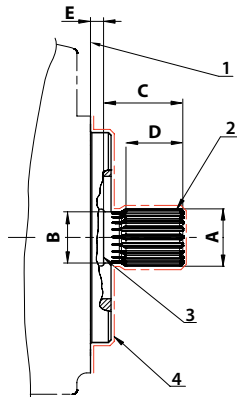
Torque rating

Rated torque	Maximum torque
999 N·m [8840 lb·in]	1818 N·m [16 090 lb·in]

For definitions of maximum and rated torque values, refer to *H1 Axial Piston Pumps Basic Information*, **BC152886483968**, the section “Shaft Torque Ratings and Spline Lubrication”.

Dimensions and Data

H1P 089/100 Input Shaft Option F1 (SAE C, 21 teeth)



1. Mounting flange 127 – 4 per ISO 3019-1; surface to be paint free
2. **Spline Data:** 21 teeth, Pressure angle: 30°, Pitch: 16/32, $\text{Ø}33.338$ [1.313]; Fillet root side fit per ANSI B92.1-1996, Class 6H
3. Coupling must not protrude beyond this point
4. Shaft to be paint free

Dimensions

A	B	C	D ¹⁾	E
$\text{Ø}34.42 \pm 0.08$ [1.355 ± 0.003]	$\text{Ø}30.4 \pm 0.13$ [1.197 ± 0.005]	48.0 ± 1 [1.894 ± 0.039]	30.7 ± 1 [1.209 ± 0.0039]	7.94 ± 0.8 [0.313 ± 0.031]

¹⁾ Minimum active spline length for the specified torque ratings.

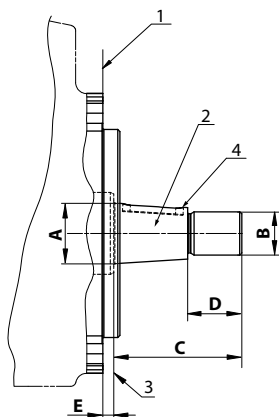
Torque rating

Rated torque	Maximum torque
760 N·m [6730 lbf·in]	1297 N·m [11 479 lbf·in]

For definitions of maximum and rated torque values, refer to *H1 Axial Piston Pumps Basic Information*, **BC152886483968**, the section “Shaft Torque Ratings and Spline Lubrication”.

Dimensions and Data

H1P 089/100 Input Shaft Option F4, Code 38-3



1. Mounting flange 127 – 4 per ISO 3019-1; surface to be paint free
2. **Tapered shaft:** Conical keyed shaft end similar to ISO3019-1 code 38-3; Suitable key $\frac{3}{8} \times \frac{3}{8} \times 1 \frac{1}{2}$ per ANSI B17.1
3. Coupling must not protrude beyond this point
4. Shaft to be paint free

Dimensions

A	B	C	D	E
$\text{Ø}38.1 \pm 0.09$ [1.5 ± 0.004]	$1\frac{1}{8} - 12$	81.9 ± 1.0 [3.224 ± 0.039]	34.9 ± 1.0 [1.374 ± 0.039]	8.025 ± 0.8 [0.36 ± 0.03]

Torque rating

Rated torque ¹⁾	Maximum torque ²⁾
1116 N·m [9880 lbf·in]	1488 N·m [13 170 lbf·in]

¹⁾ Rated torque includes just the capability of the press-fit in accordance with an assumed fastener grade 5.

²⁾ Mating part must maintain a minimum gap width of 1.0 mm with the shaft shoulder after installation of the part. Transmittable torque will be reduced if the minimum gap requirement is not met.

For definitions of maximum and rated torque values, refer to *H1 Axial Piston Pumps Basic Information, BC152886483968*, the section "Shaft Torque Ratings and Spline Lubrication".

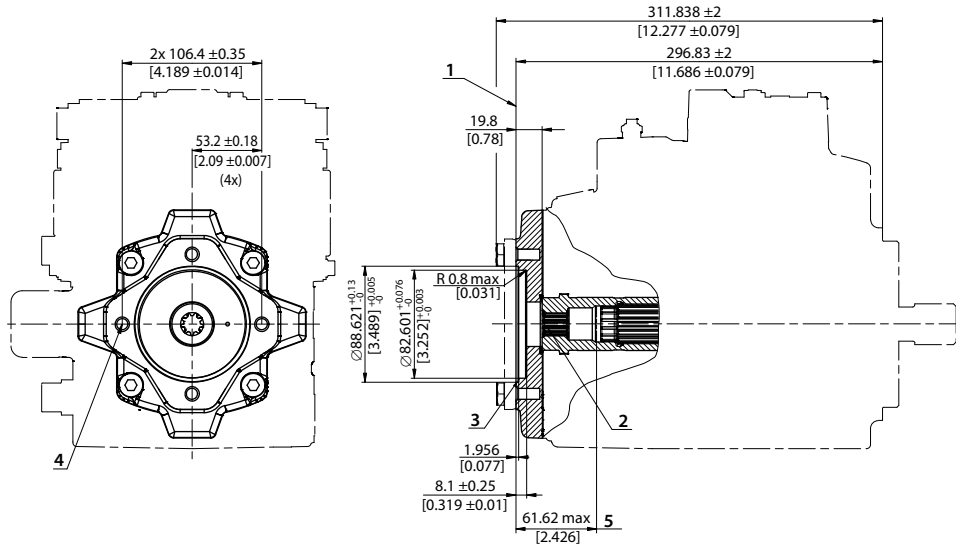
Tapered shaft customer acknowledgement

The Danfoss H1 tapered shaft has been designed using the industry standard ISO 3019-1, minus the through-hole in the end of the shaft. Danfoss guarantees the design and manufactured quality of the tapered shaft.

Danfoss recommends a self-locking nut instead of a castle nut and pin. The nut and mating square-cut key are customer supplied. The specified torque rating of the tapered shaft is based on the cross-sectional diameter of the shaft, through the keyway, and assumes the proper clamp and fit between shaft and coupling. The customer is responsible for the design and manufactured quality of the mating female coupling and key and applied torque on the nut. Danfoss has made provisions for the key in accordance to the ISO specification with the understanding that the key is solely to assist in the installation of the mating coupling.

Caution

Possible hazard because torque or loading inadvertently transmitted by the customer supplied key may lead to premature shaft failure. Torque must be transmitted by the taper fit between the shaft and it's mating coupling, not the key.

Dimensions and Data
H1P Auxiliary Mounting, Option H1 (SAE A, 11 teeth)


1. Auxiliary mounting pad for mating flange 82-2 per ISO 3019-1 (SAE A); Paint free
2. **Spline Data:** 11 teeth, Pressure angle: 30°, Pitch: 16/32, Ø17.463 [0.6875]; Fillet root side fit per ANSI B92.1-1996, Class 6; minimum active spline length 10.5 mm
3. O-ring seal required; Ref. Ø82.22 [3.237] ID x 2.62, cross section
4. Thread: M10x1.5-6H; 15 [0.59] min. depth (4x)
5. Mating shaft and shaft shoulder must not protrude beyond this point

Maximum Torque	296 N·m [2620 lbf·in]
-----------------------	-----------------------

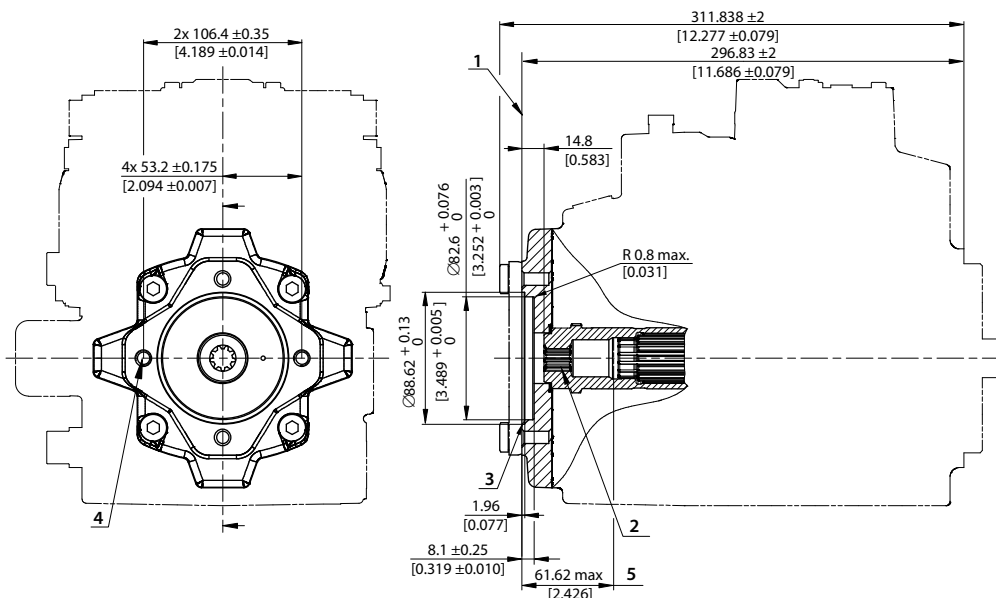
For definitions of maximum and rated torque values, refer to *H1 Axial Piston Pumps Basic Information*, **BC152886483968**, the section "Shaft Torque Ratings and Spline Lubrication".

! Caution

Standard pad cover is installed only to retain coupling during shipping. Do not operate pump without an auxiliary pump or running cover installed.

Dimensions and Data

H1P Auxiliary Mounting, Option H2 (SAE A, 9 teeth)



1. Auxiliary mounting pad for mating flange 82-2 per ISO 3019-1 (SAE A); Paint free
2. **Spline Data:** 9 teeth, Pressure angle: 30°, Pitch: 16/32, $\text{Ø}14.288$ [0.5625]; Fillet root side fit per ANSI B92.1-1996, Class 6; minimum active spline length 8.6 mm
3. O-ring seal required; Ref. $\text{Ø}82.22$ [3.237] ID x 2.62, cross section
4. Thread: M10x1.5-6H; 15 [0.59] min. depth (4x)
5. Mating shaft and shaft shoulder must not protrude beyond this point

Maximum Torque	162 N·m [1430 lbf·in]
-----------------------	-----------------------

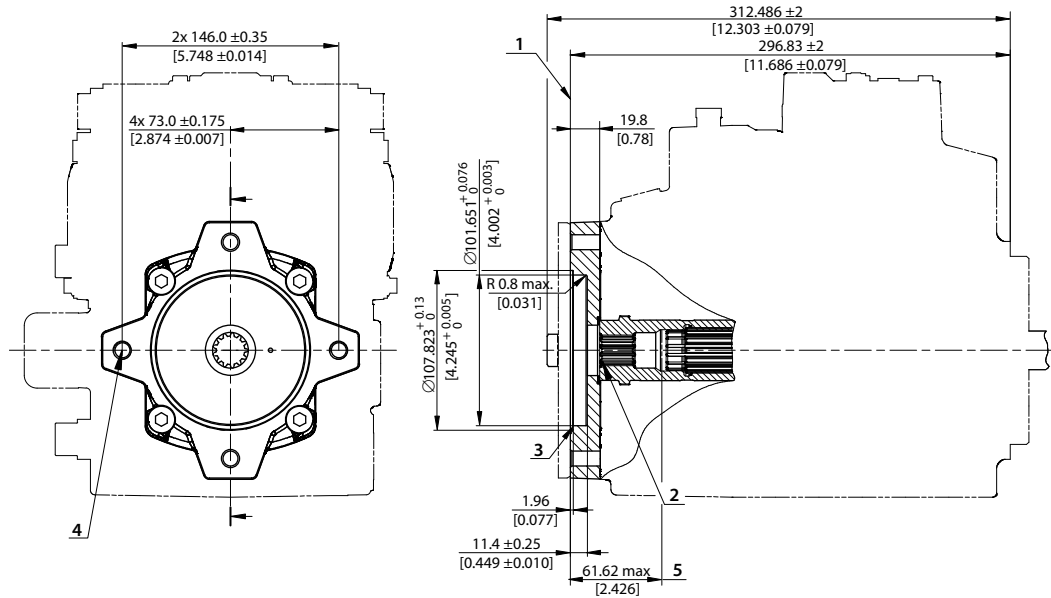
For definitions of maximum and rated torque values, refer to *H1 Axial Piston Pumps Basic Information*, **BC152886483968**, the section "Shaft Torque Ratings and Spline Lubrication".

Caution

Standard pad cover is installed only to retain coupling during shipping. Do not operate pump without an auxiliary pump or running cover installed.

Dimensions and Data

H1P Auxiliary Mounting, Option H3 (SAE B, 13 teeth)



1. Auxiliary mounting pad for mating flange 101-2 per ISO 3019-1 (SAE B); Paint free
2. **Spline Data:** 13 teeth, Pressure angle: 30°, Pitch: 16/32, $\varnothing 20.638$ [0.813]; Fillet root side fit per ANSI B92.1-1996, Class 6; minimum active spline length 12.4 mm
3. O-ring seal required; Ref. $\varnothing 94.92$ [3.737] ID x 2.62, cross section
4. Thread: M12x1.75-6H; 20 [0.787] min. depth (4x)
5. Mating shaft and shaft shoulder must not protrude beyond this point

Maximum Torque	395 N•m [3500 lbf•in]
-----------------------	-----------------------

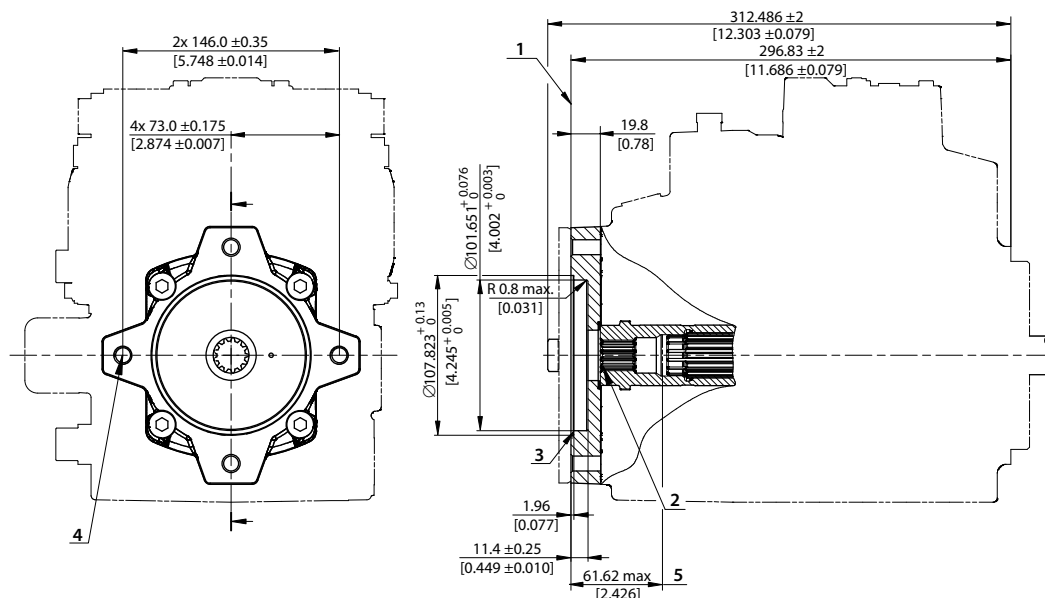
For definitions of maximum and rated torque values, refer to *H1 Axial Piston Pumps Basic Information, BC152886483968*, the section “Shaft Torque Ratings and Spline Lubrication”.

! Caution

Standard pad cover is installed only to retain coupling during shipping. Do not operate pump without an auxiliary pump or running cover installed.

Dimensions and Data

H1P Auxiliary Mounting, Option H5 (SAE B-B, 15 teeth)



1. Auxiliary mounting pad for mating flange 101-2 per ISO 3019-1 (SAE B); Paint free
2. **Spline Data:** 15 teeth, Pressure angle: 30°, Pitch: 16/32, Ø23.813 [0.938]; Fillet root side fit per ANSI B92.1-1996, Class 6; minimum active spline length 14.3 mm
3. O-ring seal required; Ref. Ø94.92 [3.737] ID x 2.62, cross section
4. Thread: M12x1.75-6H; 20 [0.787] min. depth (4x)
5. Mating shaft and shaft shoulder must not protrude beyond this point

Maximum Torque	693 N•m [6130 lbf•in]
-----------------------	-----------------------

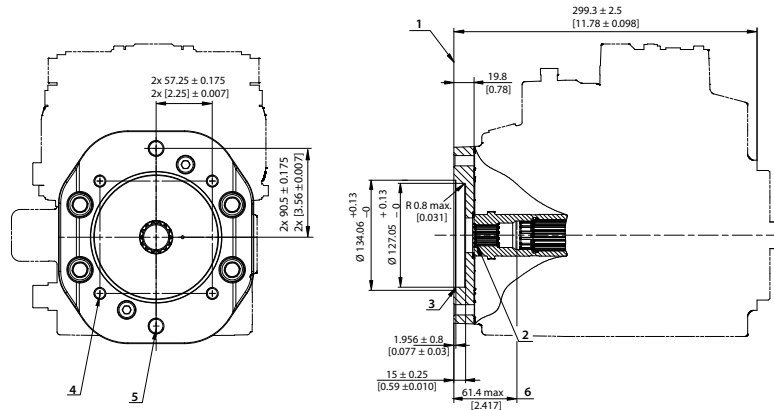
For definitions of maximum and rated torque values, refer to *H1 Axial Piston Pumps Basic Information*, **BC152886483968**, the section "Shaft Torque Ratings and Spline Lubrication".

Caution

Standard pad cover is installed only to retain coupling during shipping. Do not operate pump without an auxiliary pump or running cover installed.

Dimensions and Data

H1P Auxiliary Mounting, Option H6 (SAE C, 14 teeth)



1. Auxiliary mounting pad for mating flange 127-4 per ISO 3019-1 (SAE C); Paint free
2. **Spline Data:** 14 teeth, Pressure angle: 30°, Pitch: 12/24, Ø29.633 [1.667]; Fillet root side fit per ANSI B92.1-1996, Class 6; minimum active spline length 17.8 mm
3. O-ring seal required; Ref. Ø120.32 ID x 2.62, cross section
4. Thread: M12x1.75-6H; 22.25 [0.876] min. depth (4x)
5. Thread: M16x2-6H; 22.25 [0.876] min. depth (2x)
6. Mating shaft and shaft shoulder must not protrude beyond this point

Maximum torque	816 N•m [7220 lbf•in]
-----------------------	-----------------------

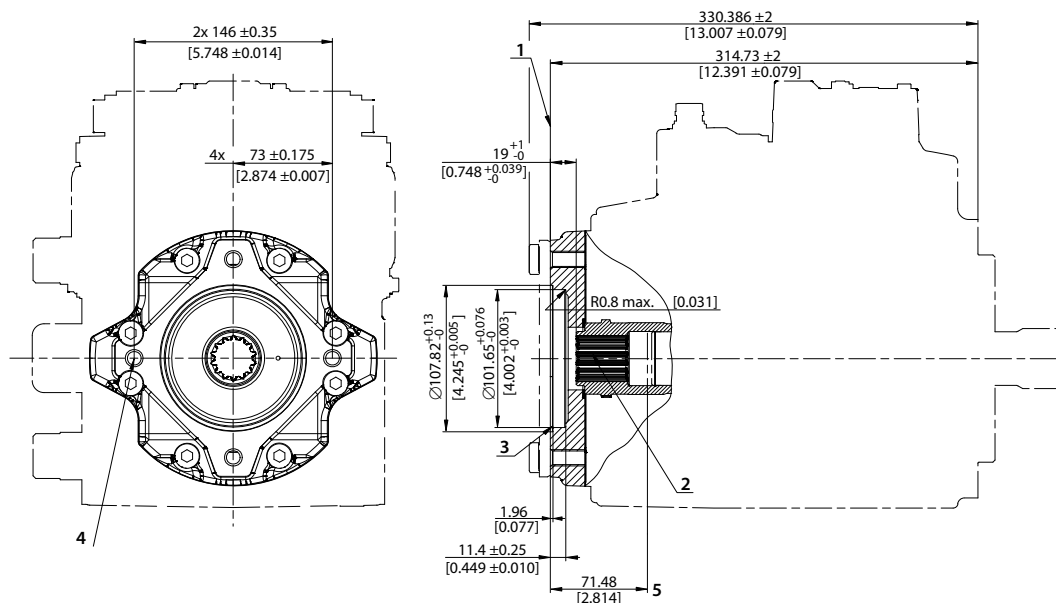
For definitions of maximum and rated torque values, refer to *H1 Axial Piston Pumps Basic Information, BC152886483968*, the section “Shaft Torque Ratings and Spline Lubrication”.

⚠ Caution

Standard pad cover is installed only to retain coupling during shipping. Do not operate pump without an auxiliary pump or running cover installed.

Dimensions and Data

H1P 089/100 Auxiliary Mounting, Option S1 (SAE B-B, 14 teeth)



1. Auxiliary mounting pad for mating flange 101-2 per ISO 3019-1 (SAE B); Paint free
2. **Spline Data:** 14 teeth, Pressure angle: 30°, Pitch: 12/24, Ø29.633 [1.667]; Fillet root side fit per ANSI B92.1-1996, Class 6; minimum active spline length 17.8 mm
3. O-ring seal required; Ref. Ø101.32 ID x 2.62, cross section
4. Thread: M12x1.75-6H; 20 [0.787] min. depth (4x)
5. Mating shaft and shaft shoulder must not protrude beyond this point

Maximum torque	816 N·m [7220 lbf·in]
-----------------------	-----------------------

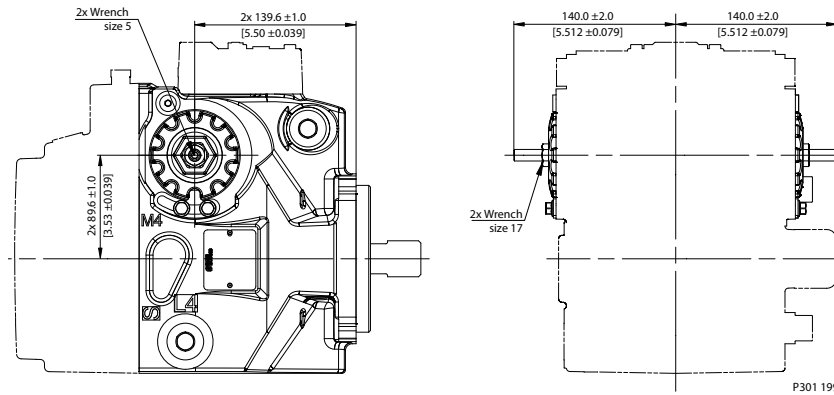
For definitions of maximum and rated torque values, refer to *H1 Axial Piston Pumps Basic Information*, **BC152886483968**, the section "Shaft Torque Ratings and Spline Lubrication".

⚠ Caution

Standard pad cover is installed only to retain coupling during shipping. Do not operate pump without an auxiliary pump or running cover installed.

Dimensions and Data

H1P Displacement Limiter, Option B



1. Displacement limiter screw (2x)
2. Displacement limiter seal nut (2x)

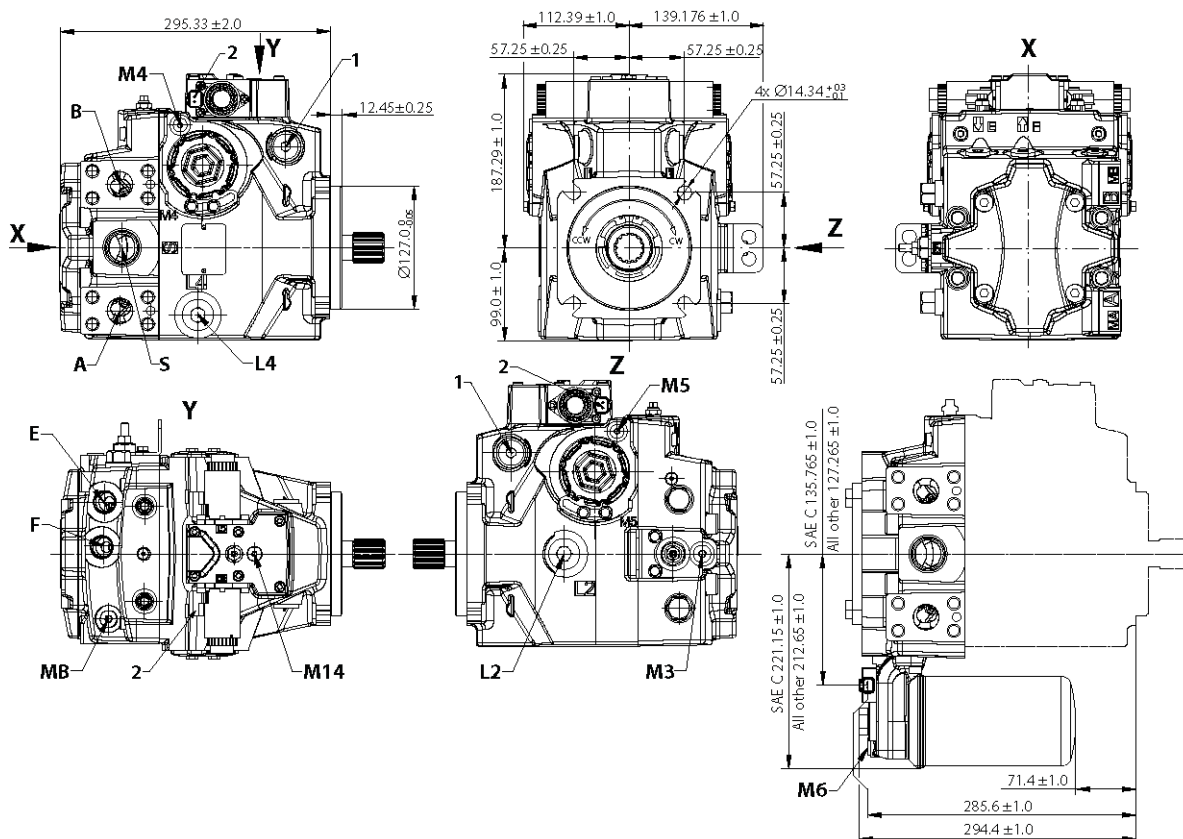
Wrench size, torque

Wrench size for DL screw	Wrench size for DL seal nut	Torque
5 internal hex	17 external hex	48 N·m [35 lb·ft]

[Please contact Danfoss representative for specific installation drawings.](#)

Dimensions and Data

Single Pump Ports



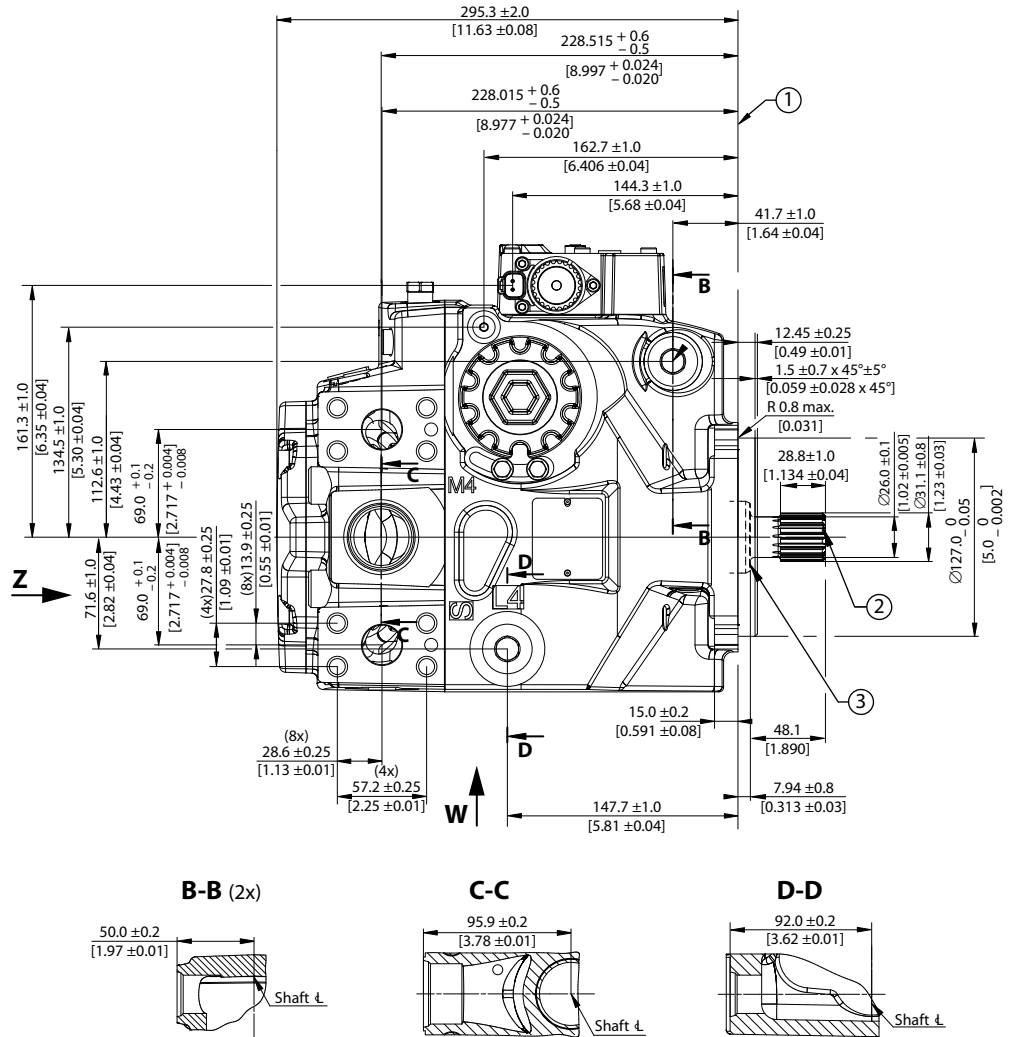
Ports per ISO 11 926-1

Port	Description	Size
A, B	System ports	Ø25.4 mm; M12 x 1.75; 20 min. full thread depth Recommended screw in depth 1.5 x thread dia
L2, L4	Case drain ports	1 ¹ / ₁₆ -12
MA, MB	System A/B gauge ports	9 ¹⁶ -18
E/F	Charge filtration ports	7 ⁸ -14
M3	Charge pressure gauge port	9 ¹⁶ -18
M4, M5	Servo gauge port	7 ¹⁶ -20
M14	Case gauge port (EDC, FNR, NFPE)	7 ¹⁶ -20
S	Charge inlet port	1 ⁵ / ₈ -12 Recommended screw in depth 1.5 x thread dia
1	Case pressure port	1 ¹ / ₁₆ -12
2	Connector DEUTSCH DT04-2P, to be paint free	

Please contact Danfoss representative for specific installation drawings.

Dimensions and Data

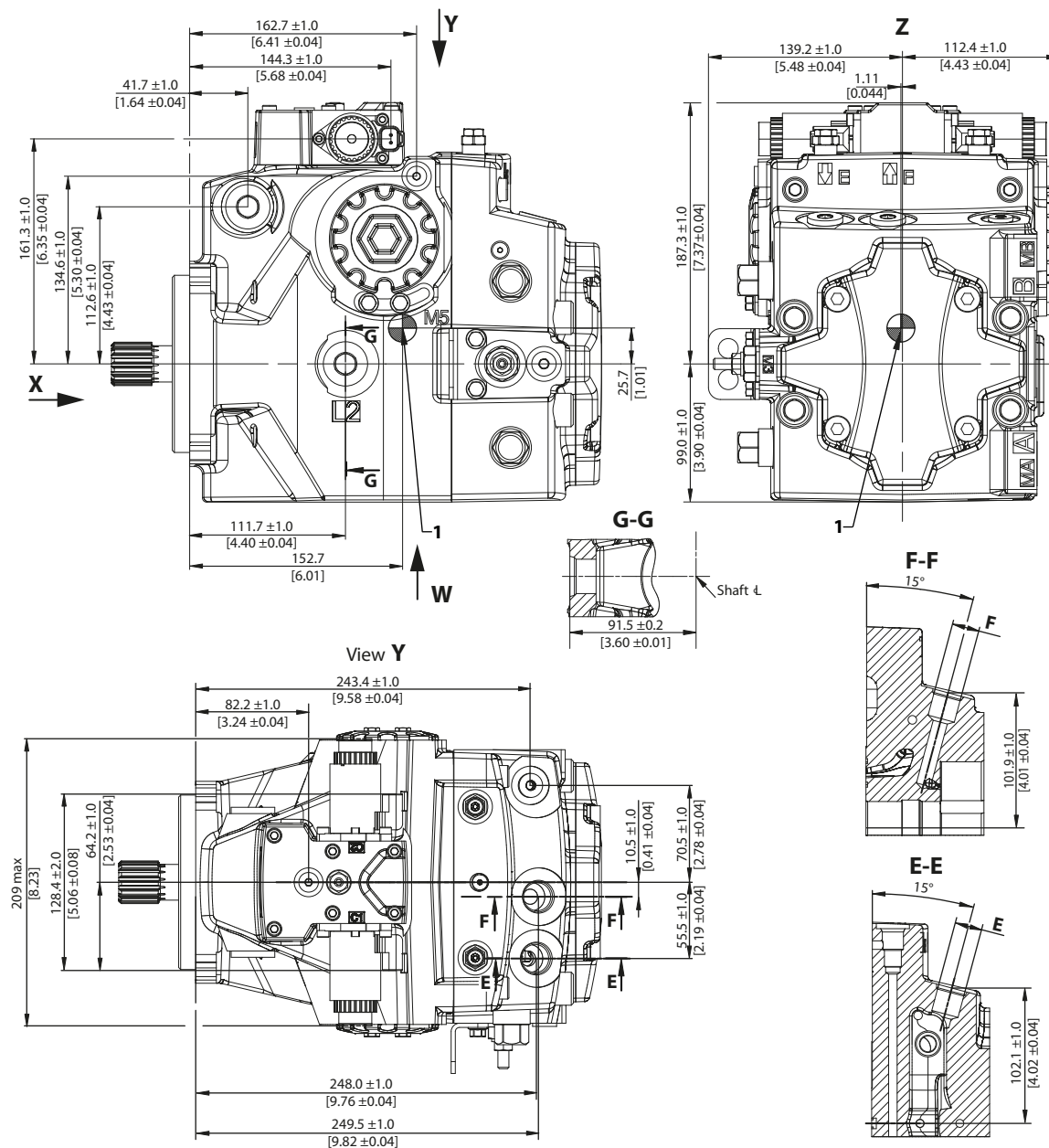
H1P Dimensions



P005 934

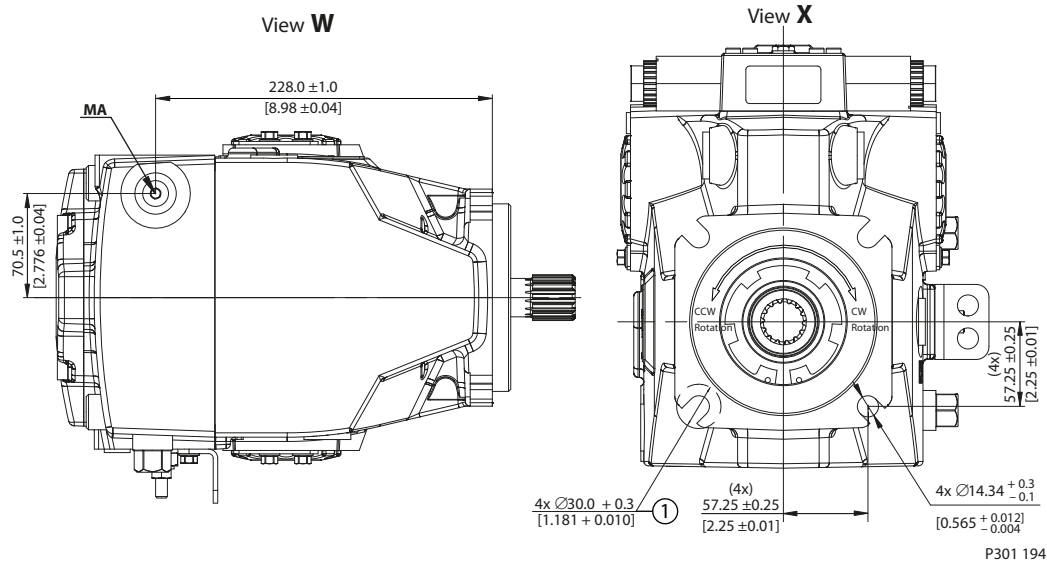
1. Mounting flange 127 – 4 per ISO 3019-1; surface to be paint free
2. Shaft to be paint free
3. Coupling must not protrude beyond this point

Dimensions and Data



1 — Approximate center of gravity

Dimensions and Data



1 — Other side screw head space

! Caution

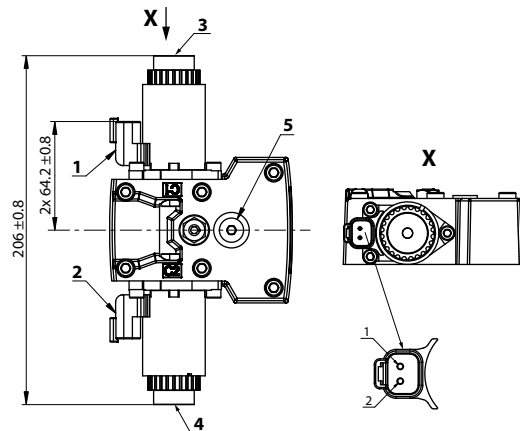
M12X1.75 x 40mm Grade 10.9 minimum with hardened washer (ASTM F436M or ISO 7089 300HV) must be used to mount the pump. Using M14 screws may cause issues when mounting.

Please contact Danfoss representative for specific installation drawings.

Dimensions and Data

Controls

EDC Options A2 and A3 (12/24 V)



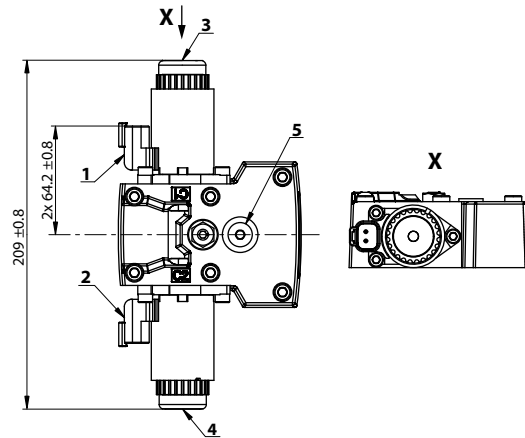
- 1. Control solenoid connector **C1** DEUTSCH DT04-2P, paint free
- 2. Control solenoid connector **C2** DEUTSCH DT04-2P, paint free
- 3. Control Manual OverRide **C1**
- 4. Control Manual OverRide **C2**
- 5. Case gauge port **M14** per ISO 1926-1: 7/16-20

Pin	Assignment	Alternative	Pin	Assignment
1	Supply	OR	1	Ground
2	Ground		2	Supply

[Please contact Danfoss representative for specific installation drawings.](#)

Dimensions and Data

EDC with MOR, Options A4 and A5 (12/24 V)



1. Control solenoid connector **C1** DEUTSCH DT04-2P, paint free
2. Control solenoid connector **C2** DEUTSCH DT04-2P, paint free
3. Control Manual OverRide **C1**
4. Control Manual OverRide **C2**
5. Case gauge port **M14** per ISO 1926-1: $\frac{7}{16}$ -20

Depressing the plunger mechanically moves the control spool. Actuation allows full stroke pump response as per coil and rotation dependent control logic.

Connector **C1/C2**: DEUTSCH DTM04-2P

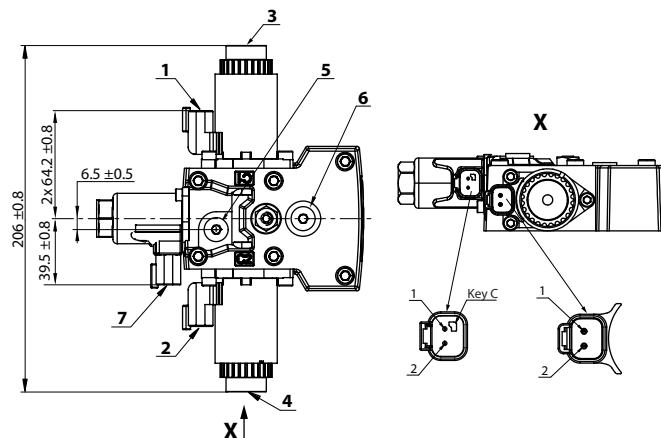


Pin	Assignment	Alternative	Pin	Assignment
1	Supply	OR	1	Ground
2	Ground		2	Supply

Please contact Danfoss representative for specific installation drawings.

Dimensions and Data

EDC with CCO (key C), Options E7 and E8 (12/24 V)



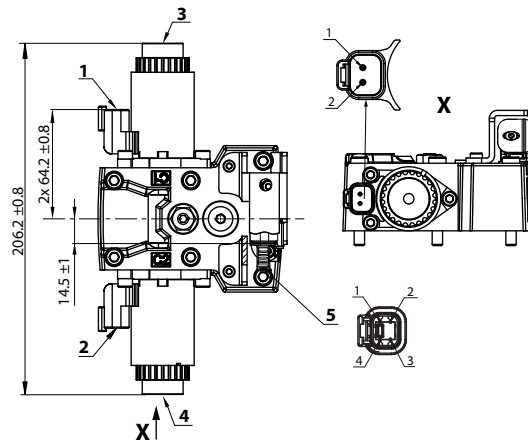
- 1. Control solenoid connector **C1** DEUTSCH DT04-2P, paint free
- 2. Control solenoid connector **C2** DEUTSCH DT04-2P, paint free
- 3. Control Manual OverRide **C1**
- 4. Control Manual OverRide **C2**
- 5. Brake gauge port **X7** per ISO 1926-1: $\frac{7}{16}$ -20
- 6. Case gauge port **M14** per ISO 1926-1: $\frac{7}{16}$ -20
- 7. Control-Cut-Off with C-key connector **C4** DEUTSCH DT04-2P, paint free

Pin	Assignment	Alternative	Pin	Assignment
1	Supply	OR	1	Ground
2	Ground		2	Supply

Please contact Danfoss representative for specific installation drawings.

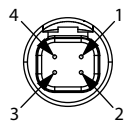
Dimensions and Data

EDC with ASNSR, Options: H2 and H3 (12/24 V)



- 1. Control solenoid connector **C1** DEUTSCH DT04-2P, paint free
- 2. Control solenoid connector **C2** DEUTSCH DT04-2P, paint free
- 3. Control Manual OverRide **C1**
- 4. Control Manual OverRide **C2**
- 5. Angle sensor connector **S2** DEUTSCH DT04-4P, paint free

Connector DEUTSCH, 4-pin



4-pin assignment:

- 1. Ground (GND)
- 2. Not connected
- 3. Output signal 1 (SIG 1)
- 4. Supply (V+)

Connector **C1/C2**: DEUTSCH DTM04-2P

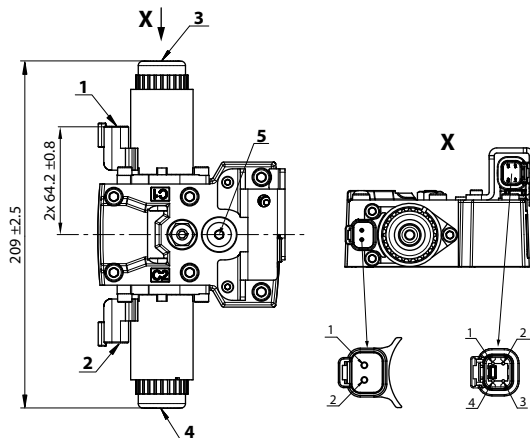


Pin	Assignment	Alternative	Pin	Assignment
1	Supply	OR	1	Ground
2	Ground		2	Supply

Please contact Danfoss representative for specific installation drawings.

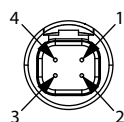
Dimensions and Data

EDC with MOR and ASNSR, Options H6 and H7 (12/24 V)



- 1.** Control solenoid connector **C1** DEUTSCH DT04-2P, paint free
- 2.** Control solenoid connector **C2** DEUTSCH DT04-2P, paint free
- 3.** Control Manual OverRide **C1**
- 4.** Control Manual OverRide **C2**
- 5.** Case gauge port **M14** per ISO 1926-1: $\frac{7}{16}$ -20

Connector DEUTSCH, 4-pin



4-pin assignment:

- 1.** Ground (GND)
- 2.** Not connected
- 3.** Output signal 1 (SIG 1)
- 4.** Supply (V+)

Connector **C1/C2**: DEUTSCH DTM04-2P

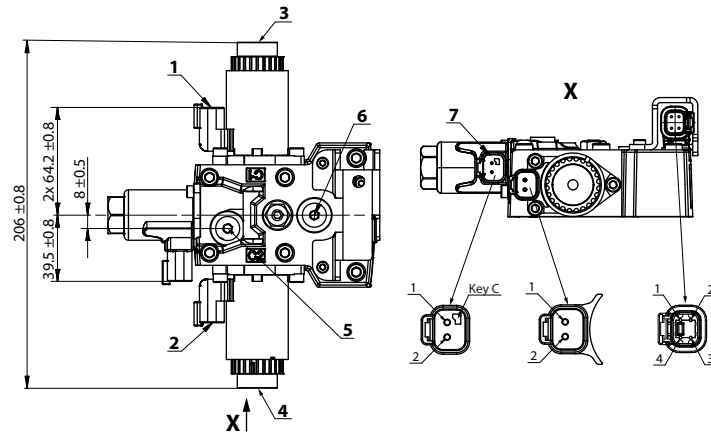


Pin	Assignment	Alternative	Pin	Assignment
1	Supply	OR	1	Ground
2	Ground		2	Supply

Please contact Danfoss representative for specific installation drawings.

Dimensions and Data

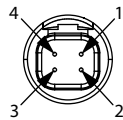
EDC with CCO and ASNSR, Options H8 and H9 (12/24 V)



1. Control solenoid connector **C1** DEUTSCH DT04-2P, paint free
2. Control solenoid connector **C2** DEUTSCH DT04-2P, paint free
3. Control Manual OverRide **C1**
4. Control Manual OverRide **C2**
5. Case gauge port **M14** per ISO 1926-1: $\frac{7}{16}$ -20
6. Brake gauge port **X7** per ISO 1926-1: $\frac{7}{16}$ -20
7. Control-Cut-Off with C-key connector **C4** DEUTSCH DT04-2P, paint free

Depressing the plunger mechanically moves the control spool. Actuation allows full stroke pump response as per coil and rotation dependent control logic.

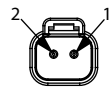
Connector DEUTSCH, 4-pin



Angle sensor connector S2: DEUTSCH DTM04-4P

1. Ground (GND)
2. Not connected
3. Output signal 1 (SIG 1)
4. Supply (V+)

Connectors C1/C2/C4: DEUTSCH DTM04-2P

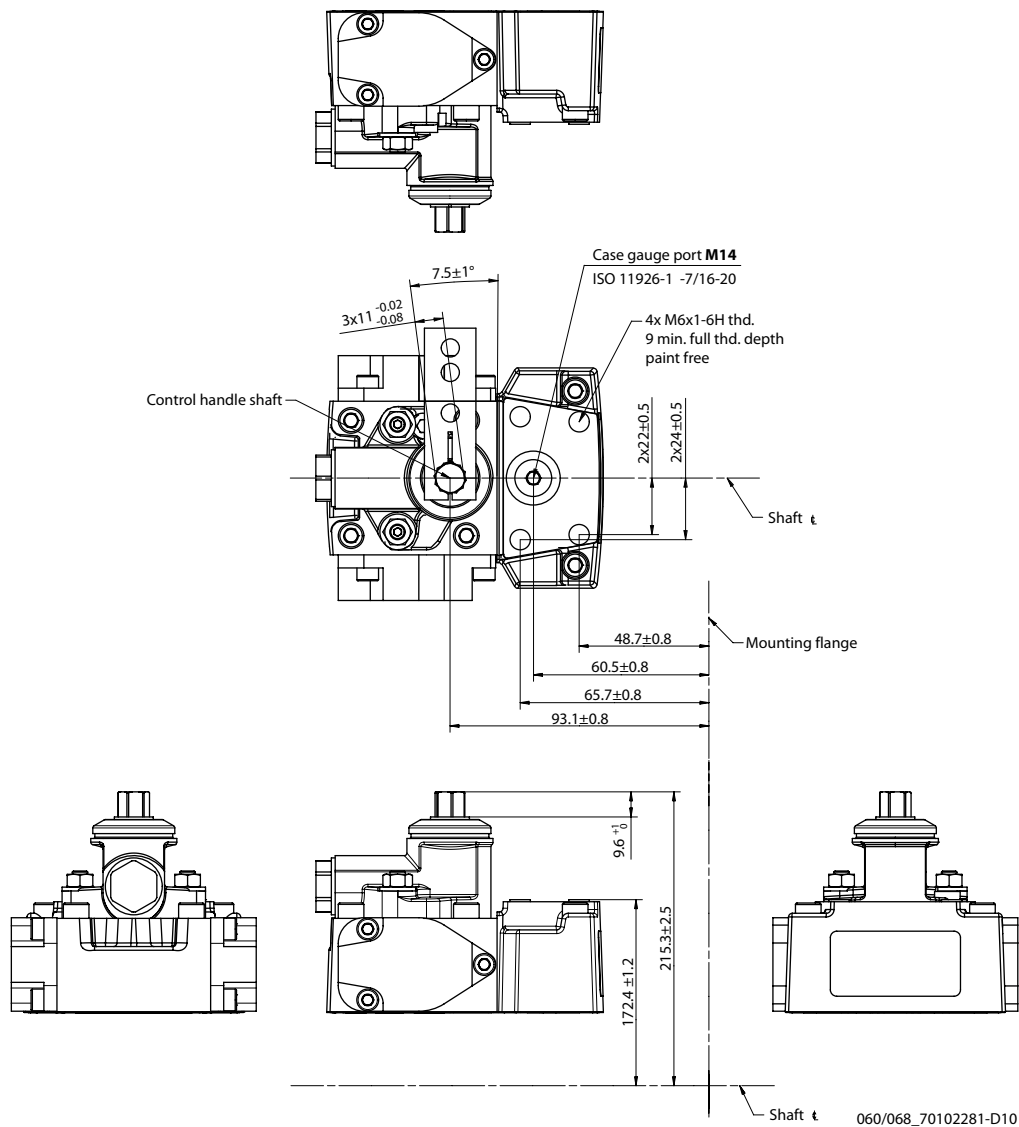


Pin	Assignment	Alternative	Pin	Assignment
1	Supply	OR	1	Ground
2	Ground		2	Supply

Please contact Danfoss representative for specific installation drawings.

Dimensions and Data

MDC Option: M1



Connector DEUTSCH, 2-pin

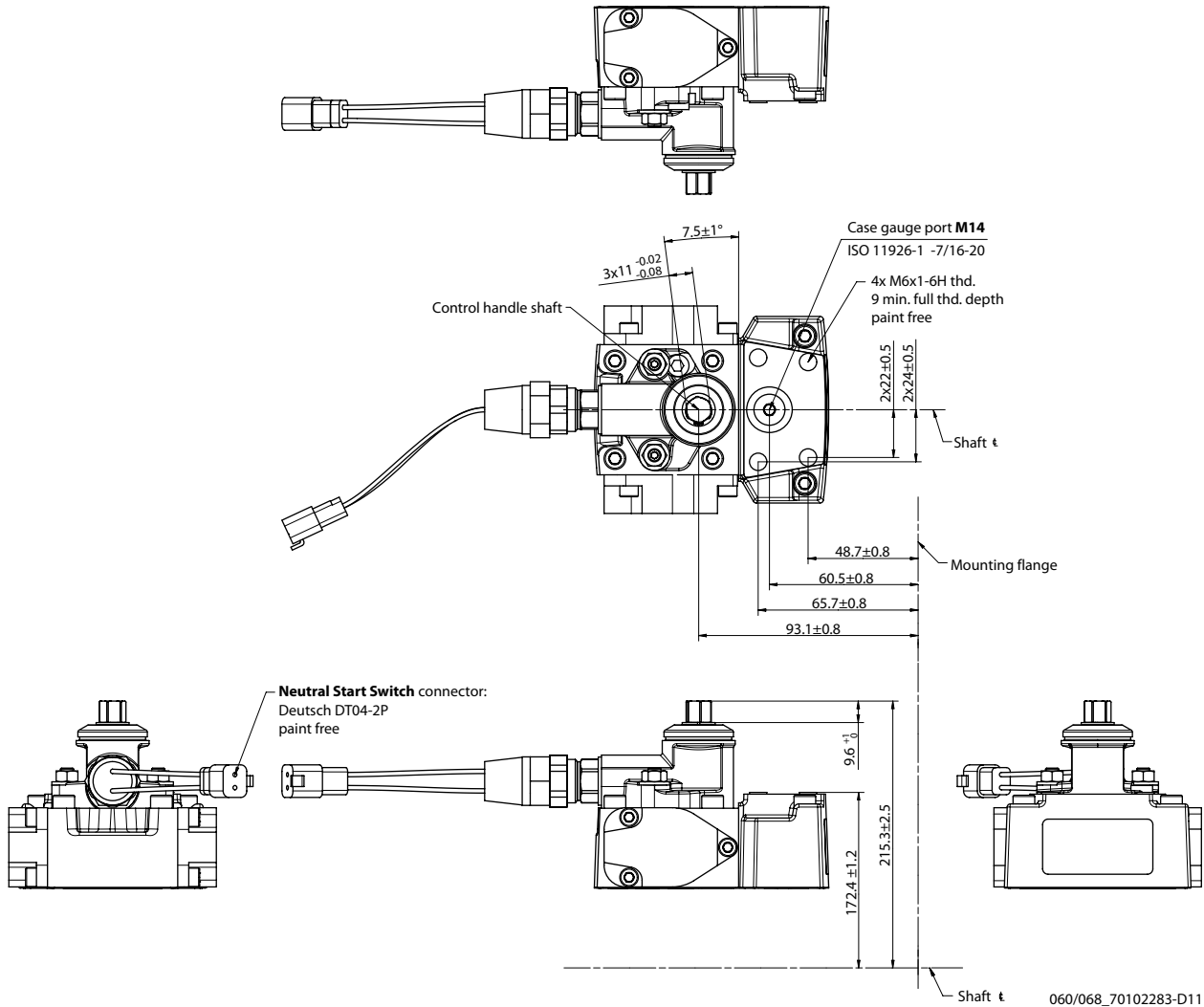


Pin	Assignment	Alternative	Pin	Assignment
1	Supply	OR	1	Ground
2	Ground		2	Supply

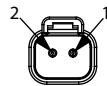
Please contact Danfoss representative for specific installation drawings.

Dimensions and Data

MDC with Neutral Start Switch Option: M2



Connector DEUTSCH, 2-pin

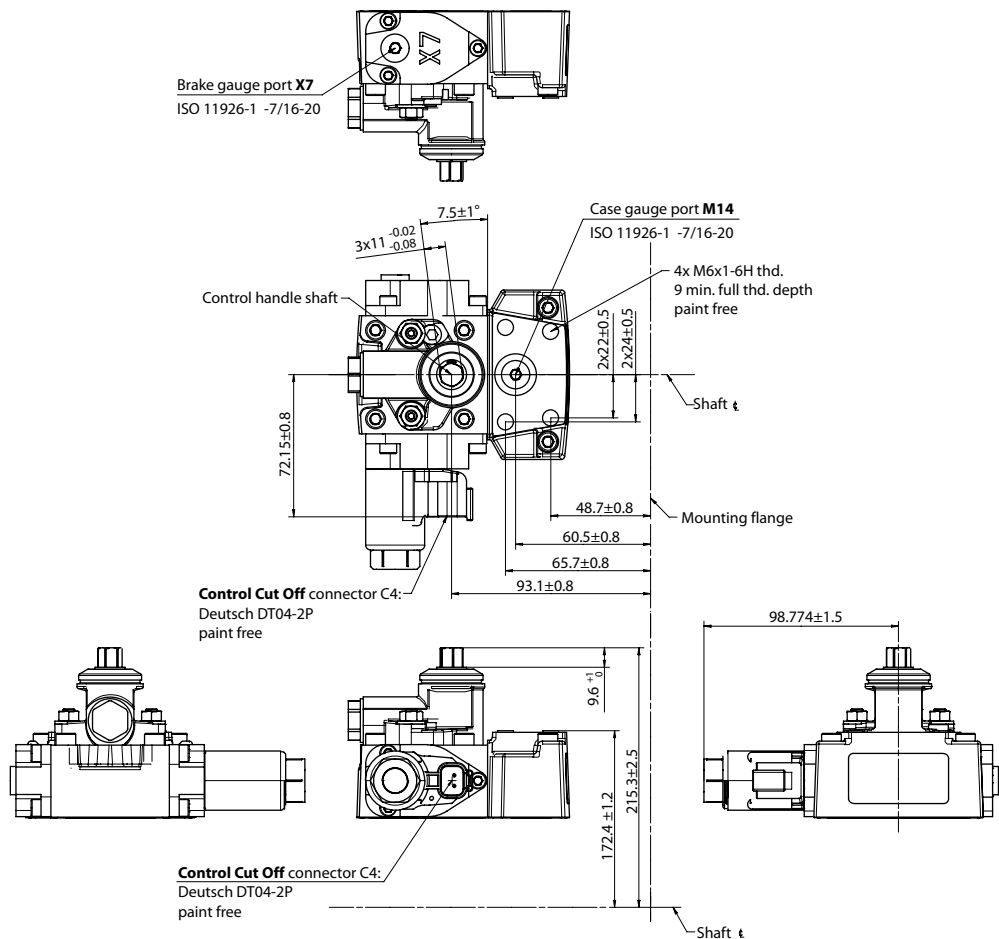


Pin	Assignment	Alternative	Pin	Assignment
1	Supply	OR	1	Ground
2	Ground		2	Supply

Please contact Danfoss representative for specific installation drawings.

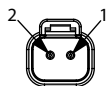
Dimensions and Data

MDC with CCO, Options: M3, M4



060/068_70102283-D12

Connector DEUTSCH, 2-pin

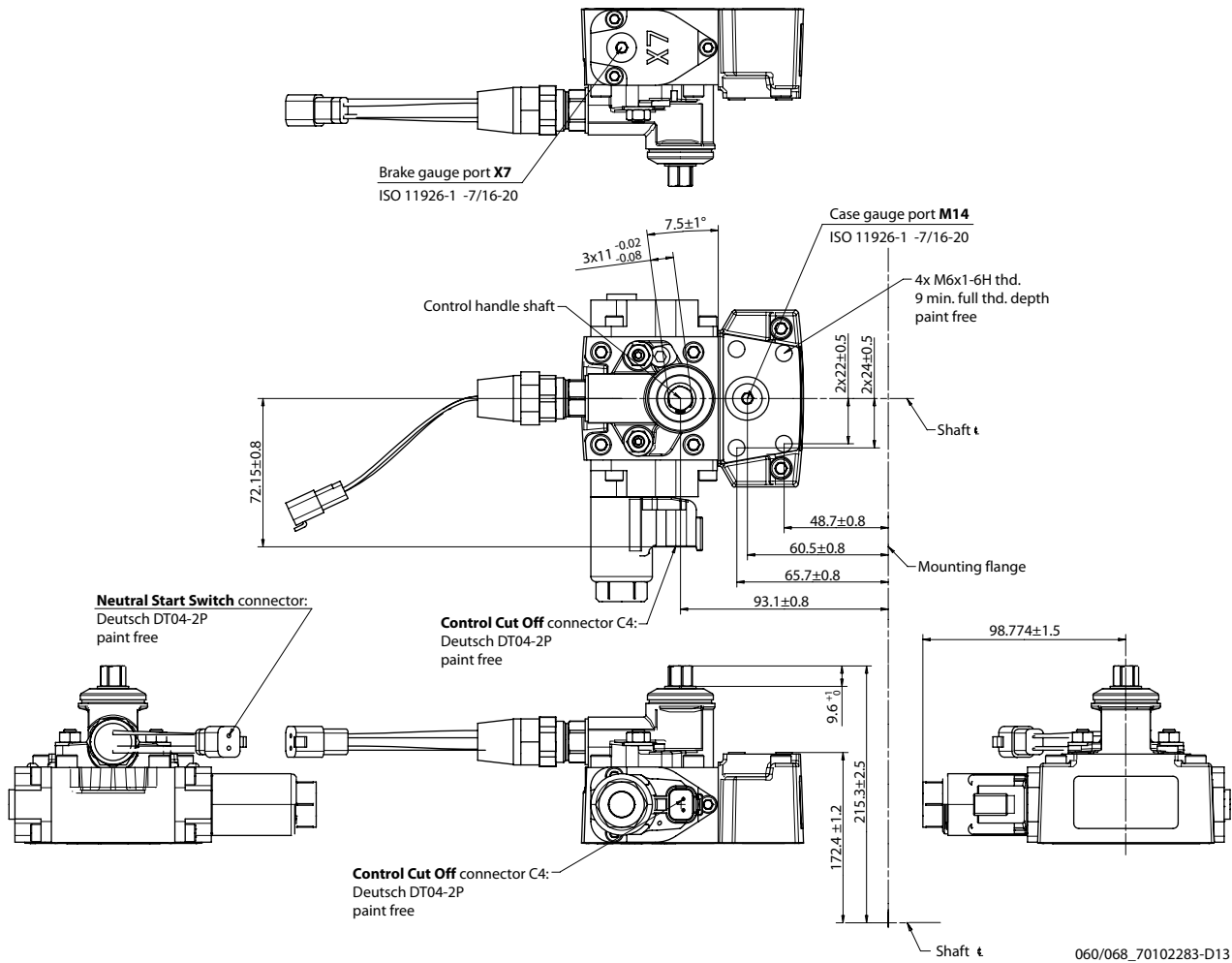


Pin	Assignment	Alternative	Pin	Assignment
1	Supply	OR	1	Ground
2	Ground		2	Supply

Please contact Danfoss representative for specific installation drawings.

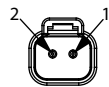
Dimensions and Data

MDC with NSS and CCO Options: M5, M6



060/068_70102283-D13

Connector DEUTSCH, 2-pin



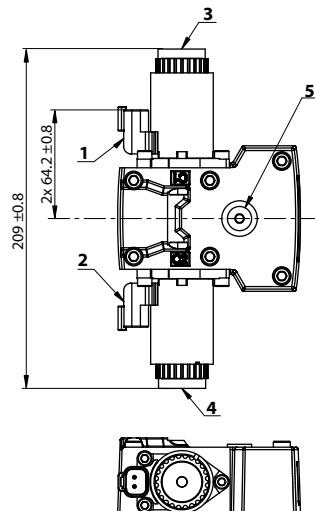
Pin	Assignment	Alternative	Pin	Assignment
1	Supply	OR	1	Ground
2	Ground		2	Supply

Please contact Danfoss representative for specific installation drawings.

Dimensions and Data

NFPE with MOR, Options: N1, N2 (12/24 V)

Non-Feedback Proportional Electric control with Manual Over Ride options N1 (12 V) and N2 (24 V).



- 1. Control solenoid connector **C1** DEUTSCH DT04-2P, paint free
 - 2. Control solenoid connector **C2** DEUTSCH DT04-2P, paint free
 - 3. Control Manual OverRide **C1**
 - 4. Control Manual OverRide **C2**
 - 5. Case gauge port **M14** per ISO 1926-1: $\frac{7}{16}$ -20
- Control solenoid connectors **C1/C2** DEUTSCH DTM04-2P pin/assignment



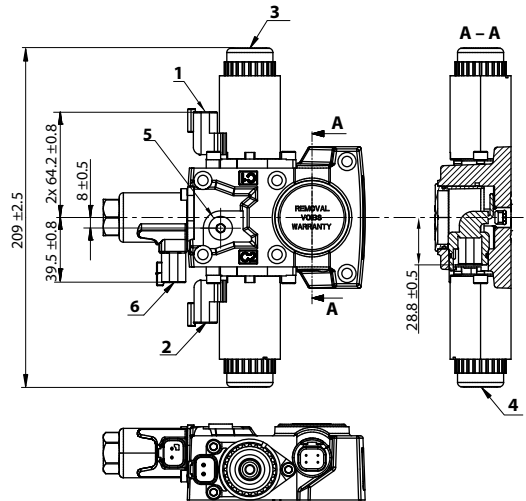
Pin	Assignment	Alternative	Pin	Assignment
1	Supply	OR	1	Ground
2	Ground		2	Supply

Please contact Danfoss representative for specific installation drawings.

Dimensions and Data

NFPE with MOR, CCO, ASNSR, Options: N3, N4 (12/24 V)

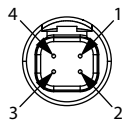
Non-Feedback Proportional Electric control with Control-Cut-Off valve with key C, Manual Over Ride and Angle Sensor, options N3 (12 V) and N4 (24 V).



1. Control solenoid connector **C1** DEUTSCH DT04-2P, paint free
2. Control solenoid connector **C2** DEUTSCH DT04-2P, paint free
3. Control Manual OverRide **C1**
4. Control Manual OverRide **C2**
5. Case gauge port **M14** per ISO 1926-1: $\frac{7}{16}$ -20
6. Control-Cut-Off with C-key connector **C4** DEUTSCH DT04-2P, paint free

Depressing the plunger mechanically moves the control spool. Actuation allows full stroke pump response as per coil and rotation dependent control logic.

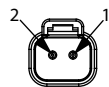
Connector DEUTSCH, 4-pin



Pin/assignment:

1. Ground (GND)
2. Output Signal 2 (SIG2) – Secondary (redundant)
3. Output signal 1 (SIG 1)
4. Supply (V+)

Control solenoid connectors **C1/C2/C4** DEUTSCH DTM04-2P pin/assignment



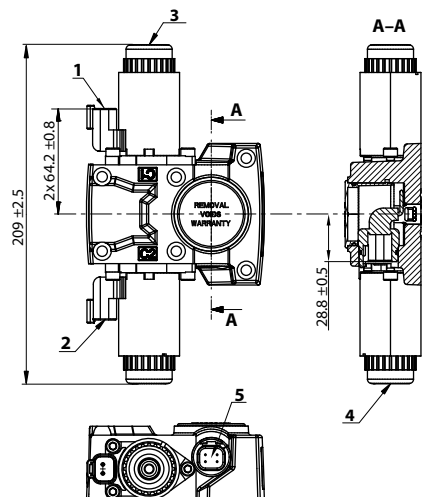
Pin	Assignment	Alternative	Pin	Assignment
1	Supply	OR	1	Ground
2	Ground		2	Supply

Please contact Danfoss representative for specific installation drawings.

Dimensions and Data

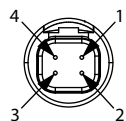
NFPE with MOR and ASNSR, Options: N5, N6 (12/24 V)

Non-Feedback Proportional Electric control with Manual Over Ride and Angle Sensor, options N5 (12 V) and N6 (24 V).



- 1. Control solenoid connector **C1** DEUTSCH DT04-2P, paint free
- 2. Control solenoid connector **C2** DEUTSCH DT04-2P, paint free
- 3. Control Manual OverRide **C1**
- 4. Control Manual OverRide **C2**
- 5. Angle sensor connector **S2** DEUTSCH DT04-4P, paint free

Connector DEUTSCH, 4-pin



Pin/assignment:

- 1. Ground (GND)
- 2. Output Signal 2 (SIG2) – Secondary (redundant)
- 3. Output signal 1 (SIG 1)
- 4. Supply (V+)

Control solenoid connectors C1/C2 DEUTSCH 2-pin/assignment



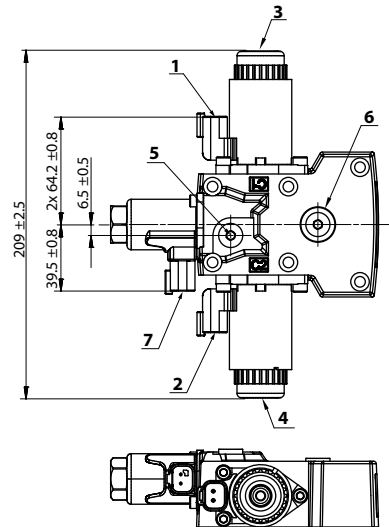
Pin	Assignment	Alternative	Pin	Assignment
1	Supply	OR	1	Ground
2	Ground		2	Supply

Please contact Danfoss representative for specific installation drawings.

Dimensions and Data

NFPE with MOR and CCO, Options: N7, N8 (12/24 V)

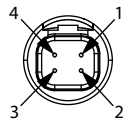
Non Feedback Proportional Electric control with Manual Over Ride and Control-Cut-Off valve key C, options N7 (12 V) and N8 (24 V).



- 1. Control solenoid connector **C1** DEUTSCH DT04-2P, paint free
- 2. Control solenoid connector **C2** DEUTSCH DT04-2P, paint free
- 3. Control Manual OverRide **C1**
- 4. Control Manual OverRide **C2**
- 5. Brake gauge port **X7** per ISO 1926-1: 7/16-20
- 6. Case gauge port **M14** per ISO 1926-1: 7/16-20
- 7. Control-Cut-Off with C-key connector **C4** DEUTSCH DT04-2P, paint free

Depressing the plunger mechanically moves the control spool. Actuation allows full stroke pump response as per coil and rotation dependent control logic.

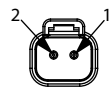
Connector DEUTSCH, 4-pin



Pin/assignment:

- 1. Ground (GND)
- 2. Output Signal 2 (SIG2) – Secondary (redundant)
- 3. Output signal 1 (SIG 1)
- 4. Supply (V+)

Control solenoid connectors **C1/C2** DEUTSCH DTM04-2P pin assignment

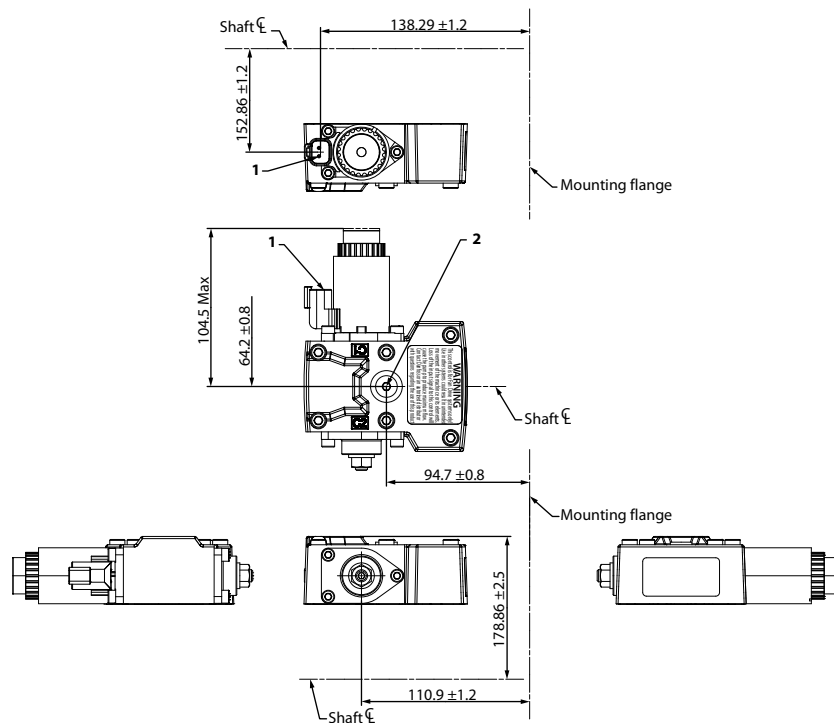


Pin	Assignment	Alternative	Pin	Assignment
1	Supply	OR	1	Ground
2	Ground		2	Supply

Please contact Danfoss representative for specific installation drawings.

Dimensions and Data

FDC Options: F1, F2 (12/24V)



1. Control solenoid connector **C1** DEUTSCH DT04-2P, paint free

2. Case gauge port **M14** per ISO 1926-1: $\frac{7}{16}$ -20

Control solenoid connectors *DEUTSCH*, 2-pin assignment

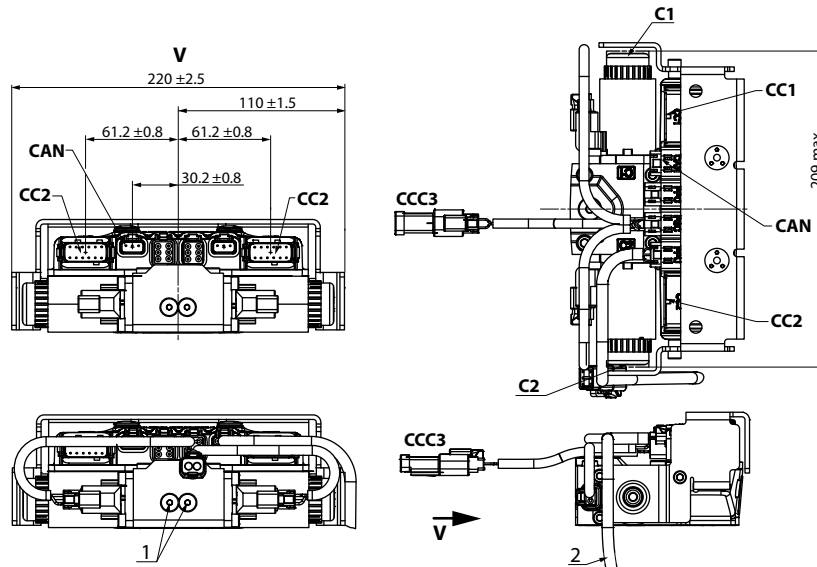


Pin	Assignment	Alternative	Pin	Assignment
1	Supply	OR	1	Ground
2	Ground		2	Supply

[Please contact Danfoss representative for specific installation drawings.](#)

Dimensions and Data

Automotive Control (AC)



- 1 Plug removing can cause contamination issues
- 2 PPU wire harness is factory installed to speed sensor

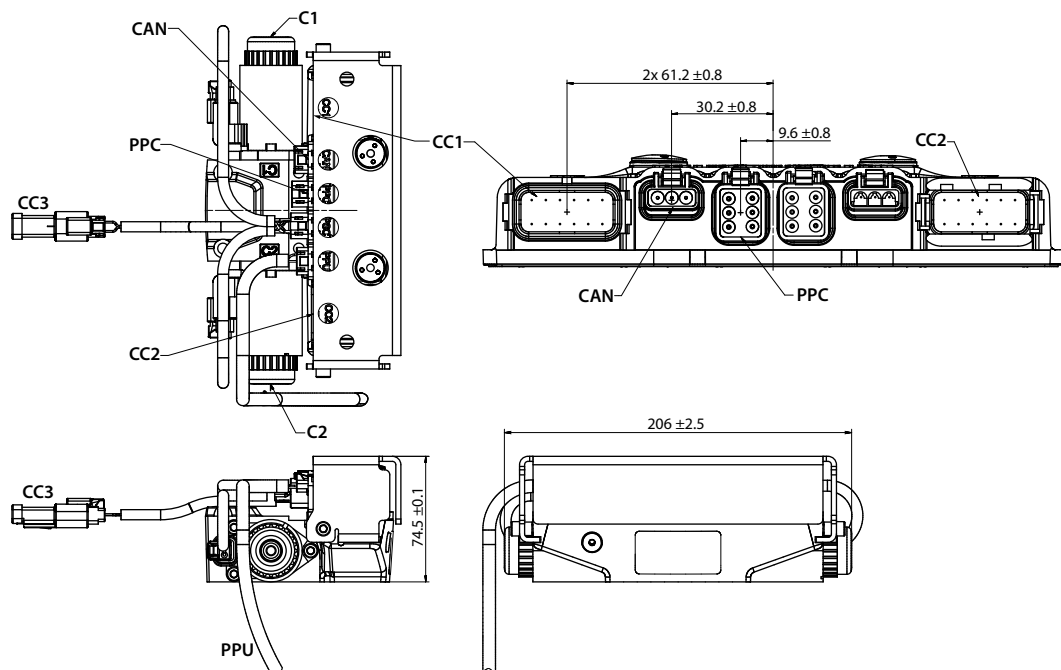
Connectors description

Port	Description
C1 and C2	1. Control Manual Override C1 2. Control Manual Override C2
CC1	Port A Control connector DEUTSCH DTM04-12P; paint free
CC2	Port B Control connector DEUTSCH DTM04-12P; paint free
CC3	Control connector DEUTSCH DT06-2S; paint free; For using connector, the plug may be removed.
CAN	Control connector DEUTSCH DTM04-3P; paint free; For using connector, the plug may be removed.

Please contact Danfoss representative for specific installation drawings.

Dimensions and Data

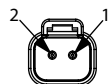
AC connectors dimensions



PPU wire harness is factory installed to speed sensor.

CC3

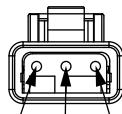
Connector DEUTSCH, 2-pin



1. Digital output A1 (+)
2. Digital output A2 (-)

CAN

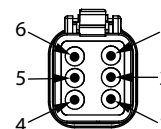
Connector DEUTSCH, 3-pin



1. CAN High
2. CAN Low
3. CAN Shield

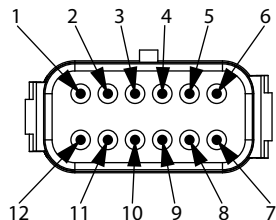
PPC

Connector DEUTSCH, 6-pin



1. Sensor A (+)
2. Analog input A
3. Sensor A (-)
4. Sensor B (-)
5. Analog input B
6. Sensor B (+)

Connector DEUTSCH, 12-pin



CC1

1. Battery (-)
2. Battery (+)
3. Sensor (+)
4. Sensor (-)
5. Motor rpm input (frequency)
6. Forward input (digital)
7. Reverse input (digital)
8. Sensor (+)
9. Sensor (-)
10. Drive pedal input (analog – nominal)
11. Drive pedal input (analog – red)
12. Neural input (digital)

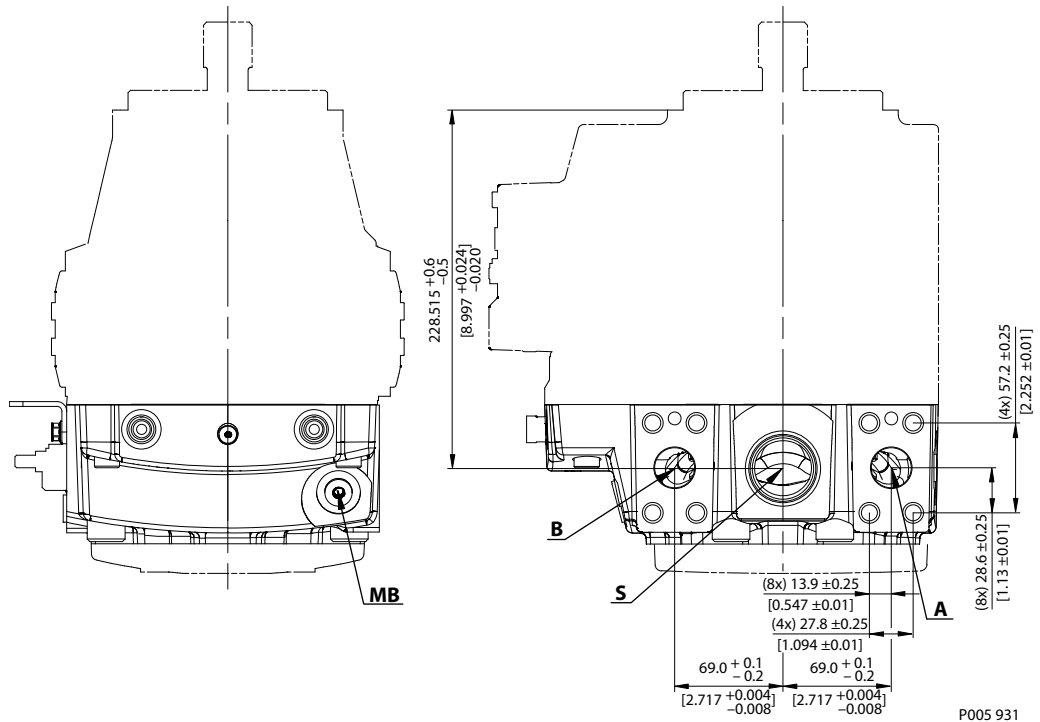
CC2

1. Inch input (analog – red)
2. Mode switch B input (digital – nominal)
3. Motor prop/PCOR driver
4. Motor direction input (analog)
5. Sensor (+)
6. Sensor (-)
7. Inch input (analog – nominal)
8. Motor BPD driver
9. Digital output B2 (-)
10. Digital output B1 (+)
11. Mode switch A input (digital)
12. Mode switch B input (digital – red)

Dimensions and Data

Filtration

H1P 89/100 Suction Filtration Option L



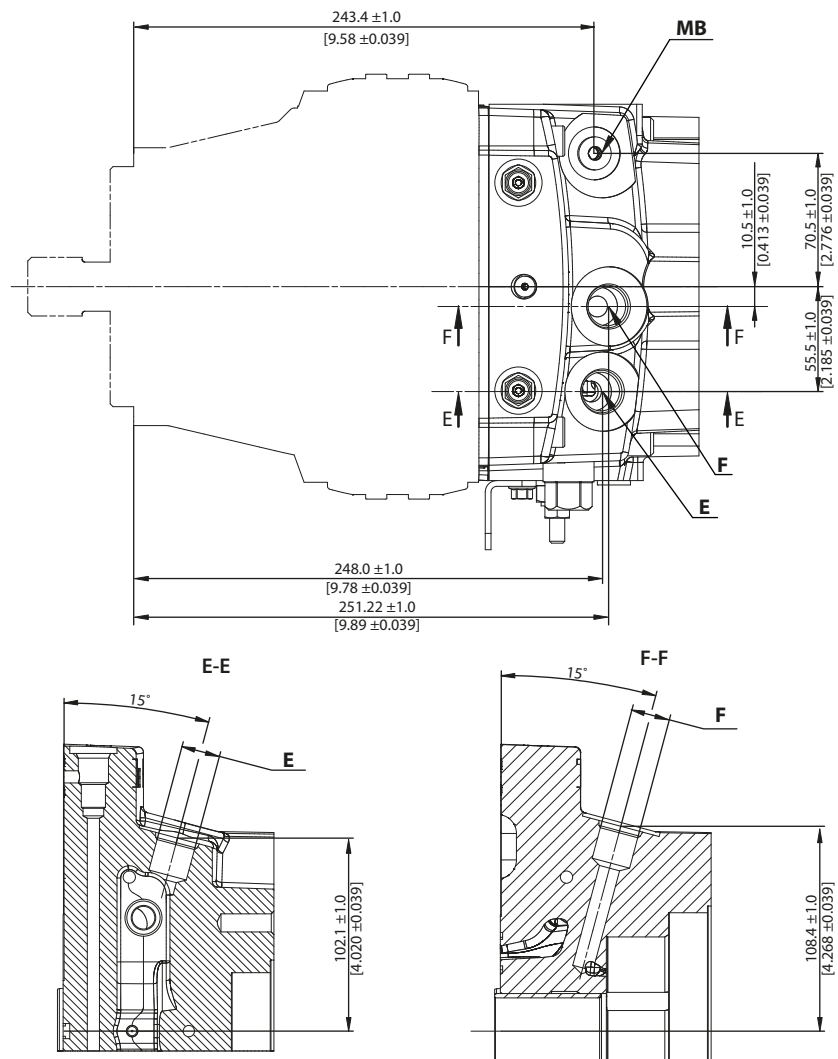
- A, B** System ports; 450 bar, split flange boss per ISO 6162
- MB** System B gauge port
- S** Charge inlet port per ISO 11926-1: $1\frac{5}{8}$ -12

Please contact Danfoss representative for specific installation drawings.

Dimensions and Data

H1P 89/100 Remote Full Flow Charge Pressure Filtration Option P

Remote Filtration for end cap option F5 (SAE-C PTO)



P301 287

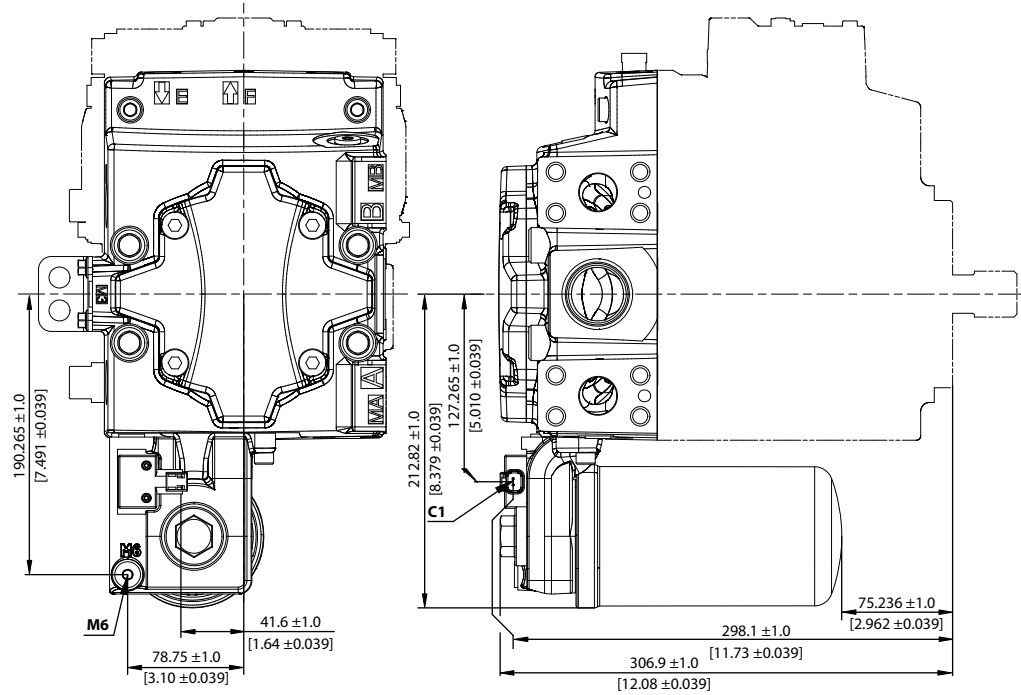
- MB** System B gauge port per ISO 11926-1
- F** Charge filtration port to filter
- E** Charge filtration port from filter

[Please contact Danfoss representative for specific installation drawings.](#)

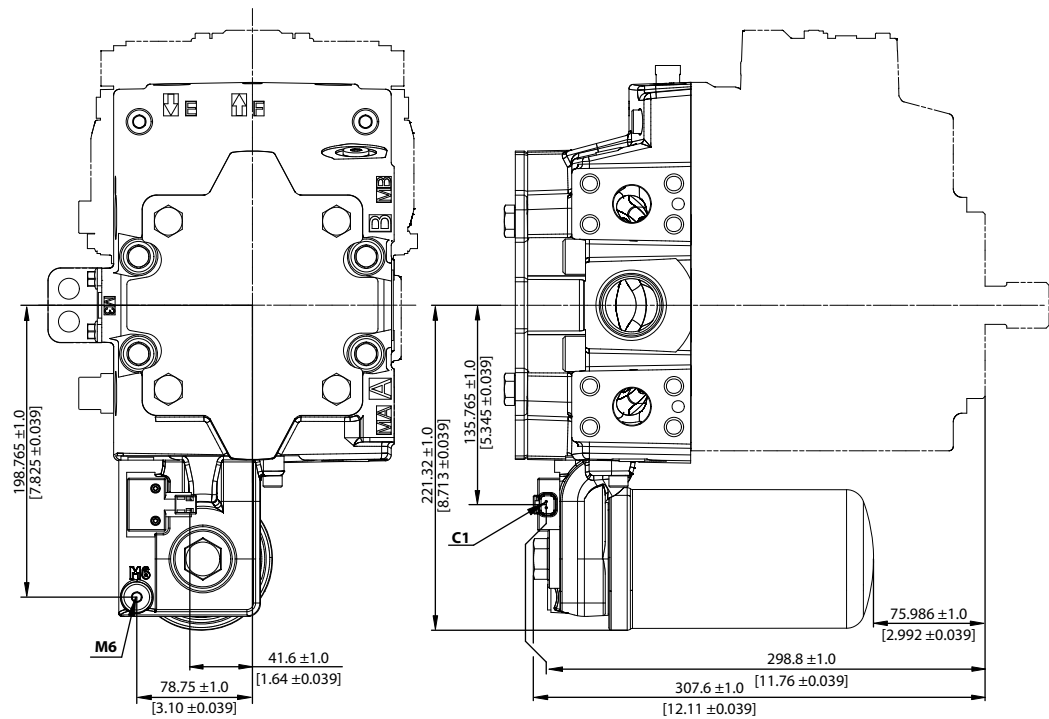
Dimensions and Data

Integral Full Flow Charge Pressure Filtration, Option M

Integral full flow charge pressure filtration with filter bypass sensor, option M, for end cap option D3



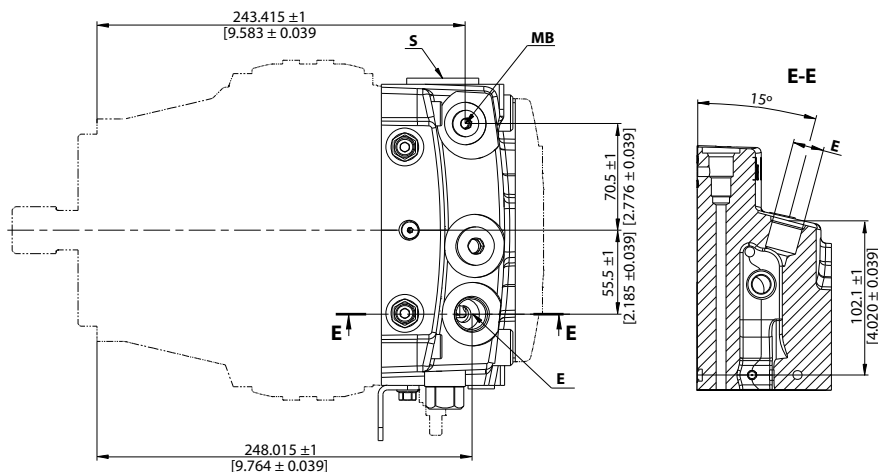
Integral charge filtration with filter bypass sensor, option M, for end cap option F4 (SAE-C PTO)



Dimensions and Data

External Full Flow Charge Pressure Filtration, Option S

External filtration, option S for end cap options D8 or F5



- E** Charge filtration ports per ISO 11926-1: $\frac{7}{8}$ -14 from filter
- MB** System gauge port per ISO 11926-1: $\frac{9}{16}$ -18
- S** Charge inlet port per ISO 11926-1: $1\frac{5}{8}$ -12

[Please contact Danfoss representative for specific installation drawings.](#)

Products we offer:

- Cartridge valves
- DCV directional control valves
- Electric converters
- Electric machines
- Electric motors
- Gear motors
- Gear pumps
- Hydraulic integrated circuits (HICs)
- Hydrostatic motors
- Hydrostatic pumps
- Orbital motors
- PLUS+1® controllers
- PLUS+1® displays
- PLUS+1® joysticks and pedals
- PLUS+1® operator interfaces
- PLUS+1® sensors
- PLUS+1® software
- PLUS+1® software services, support and training
- Position controls and sensors
- PVG proportional valves
- Steering components and systems
- Telematics

Danfoss Power Solutions is a global manufacturer and supplier of high-quality hydraulic and electric components. We specialize in providing state-of-the-art technology and solutions that excel in the harsh operating conditions of the mobile off-highway market as well as the marine sector. Building on our extensive applications expertise, we work closely with you to ensure exceptional performance for a broad range of applications. We help you and other customers around the world speed up system development, reduce costs and bring vehicles and vessels to market faster.

Danfoss Power Solutions – your strongest partner in mobile hydraulics and mobile electrification.

Go to www.danfoss.com for further product information.

We offer you expert worldwide support for ensuring the best possible solutions for outstanding performance. And with an extensive network of Global Service Partners, we also provide you with comprehensive global service for all of our components.

Local address:

Hydro-Gear

www.hydro-gear.com

Daikin-Sauer-Danfoss

www.daikin-sauer-danfoss.com

**Danfoss
Power Solutions (US) Company**
2800 East 13th Street
Ames, IA 50010, USA
Phone: +1 515 239 6000

**Danfoss
Power Solutions GmbH & Co. OHG**
Krokamp 35
D-24539 Neumünster, Germany
Phone: +49 4321 871 0

**Danfoss
Power Solutions ApS**
Nordborgvej 81
DK-6430 Nordborg, Denmark
Phone: +45 7488 2222

**Danfoss
Power Solutions Trading
(Shanghai) Co., Ltd.**
Building #22, No. 1000 Jin Hai Rd
Jin Qiao, Pudong New District
Shanghai, China 201206
Phone: +86 21 2080 6201

Danfoss can accept no responsibility for possible errors in catalogues, brochures and other printed material. Danfoss reserves the right to alter its products without notice. This also applies to products already on order provided that such alterations can be made without subsequent changes being necessary in specifications already agreed. All trademarks in this material are property of the respective companies. Danfoss and the Danfoss logotype are trademarks of Danfoss A/S. All rights reserved.